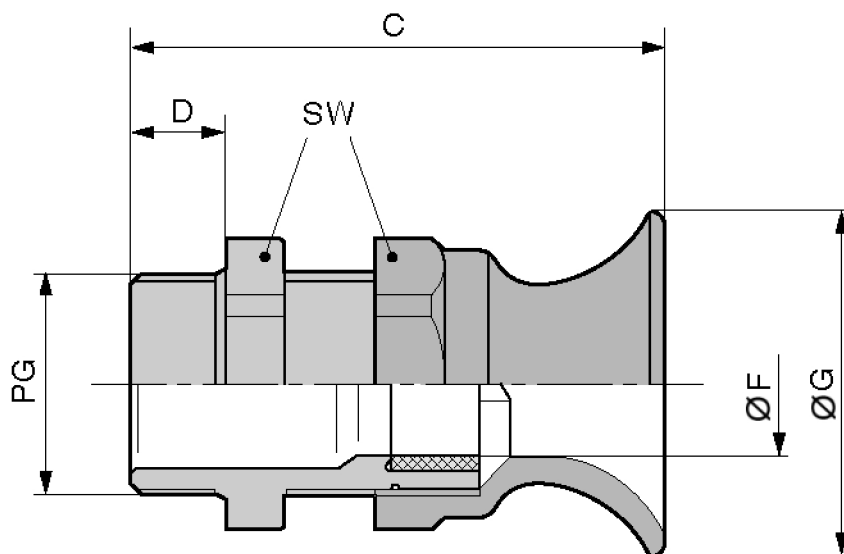
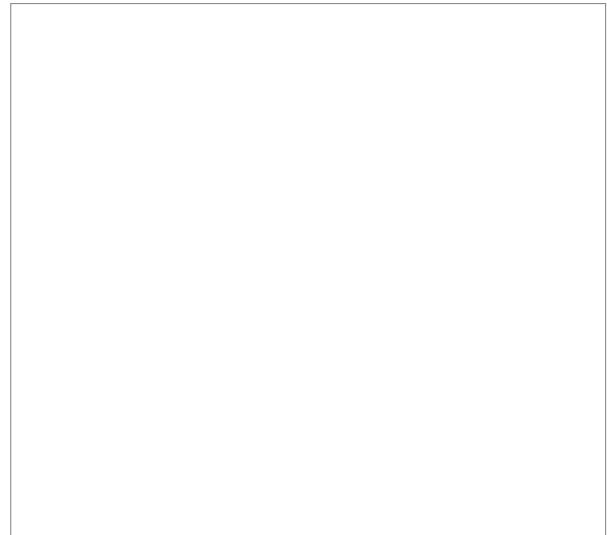
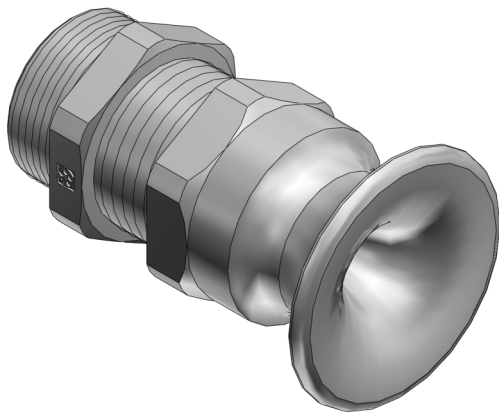


Product Description





Technical Data

ATN	53015430
PG	PG 13,5
FMIN	5
FMAX	12
F	5
SW	24
A	26.5
C	52
D	9
G	32
MATERIAL	Kunststoff