



ALL1688PC

Passiver Powerline Verbindung (Home Plug Gerät)

Phasenkoppler (Hutschienen Version)



Benutzerhandbuch

Legal Notice

2011 © All rights reserved.

No part of this document may be reproduced, republished, or retransmitted in any form or by any means whatsoever, whether electronically or mechanically, including, but not limited to, by way of photocopying, recording, information recording, or through retrieval systems without the express written permission. We reserve the right to revise this document at any time without the obligation to notify any person and/or entity. All other company or product names mentioned are used for identification purposes only and may be trademarks of their respective owners.

LIMITATION OF LIABILITY AND DAMAGES

THE PRODUCT IS PROVIDED "AS IS," BASIS. THE MANUFACTURER AND MANUFACTURER'S RESELLERS (COLLECTIVELY REFERRED TO AS "THE SELLERS") DISCLAIM ALL WARRANTIES, EXPRESS, IMPLIED OR STATUTORY, INCLUDING WITHOUT LIMITATION THE IMPLIED WARRANTIES OF NON- INFRINGEMENT, MERCHANTABILITY OR FITNESS FOR A PARTICULAR PURPOSE, OR ANY WARRANTIES ARISING FROM COURSE OF DEALING, COURSE OF PERFORMANCE, OR USAGE OF TRADE. IN NO EVENT WILL THE SELLERS BE LIABLE FOR DAMAGES OR LOSS, INCLUDING BUT NOT LIMITED TO DIRECT, INDIRECT, SPECIAL WILLFUL, PUNITIVE, INCIDENTAL, EXEMPLARY, OR CONSEQUENTIAL, DAMAGES, DAMAGES FOR LOSS OF BUSINESS PROFITS, OR DAMAGES FOR LOSS OF BUSINESS OF ANY CUSTOMER OR ANY THIRD PARTY ARISING OUT OF THE USE OR THE INABILITY TO USE THE PRODUCT OR THE SOFTWARES, INCLUDING BUT NOT LIMITED TO THOSE RESULTING FROM DEFECTS IN THE PRODUCT OR SOFTWARE OR DOCUMENTATION, OR LOSS OR INACCURACY OF DATA OF ANY KIND, WHETHER BASED ON CONTRACT, TORT OR ANY OTHER LEGAL THEORY, EVEN IF THE PARTIES HAVE BEEN ADVISED OF THE POSSIBILITY OF SUCH DAMAGES. THE ENTIRE RISK AS TO THE RESULTS AND PERFORMANCE OF THE PRODUCT OR ITS SOFTWARE IS ASSUMED BY CUSTOMER. BECAUSE SOME STATES DO NOT ALLOW THE EXCLUSION OR LIMITATION OF LIABILITY FOR DAMAGES, THE ABOVE LIMITATION MAY NOT APPLY TO THE PARTIES. IN NO EVENT WILL THE SELLERS' TOTAL CUMULATIVE LIABILITY OF EACH AND EVERY KIND IN RELATION TO THE PRODUCT OR ITS SOFTWARE EXCEED THE AMOUNT PAID BY CUSTOMER FOR THE PRODUCT.

Inhalt

Funktion.....	4
Spezifikationen.....	4
Installation.....	5
Sicherheitswarnungen.....	5

Funktion:

Ein passiver Phasenkoppler ist ein Gerät, das entwickelt und konstruiert wurde, um PLC-Signale von einer Phase zu einer anderen zu übertragen.

Spezifikationen:

Überträgt PLC-Signale über drei Phasen in einem Stromnetz.

Powerline Adapter, welche auf verschiedene Phasen verwendet werden, können jetzt kommunizieren.

Passt auf eine Hutschiene.

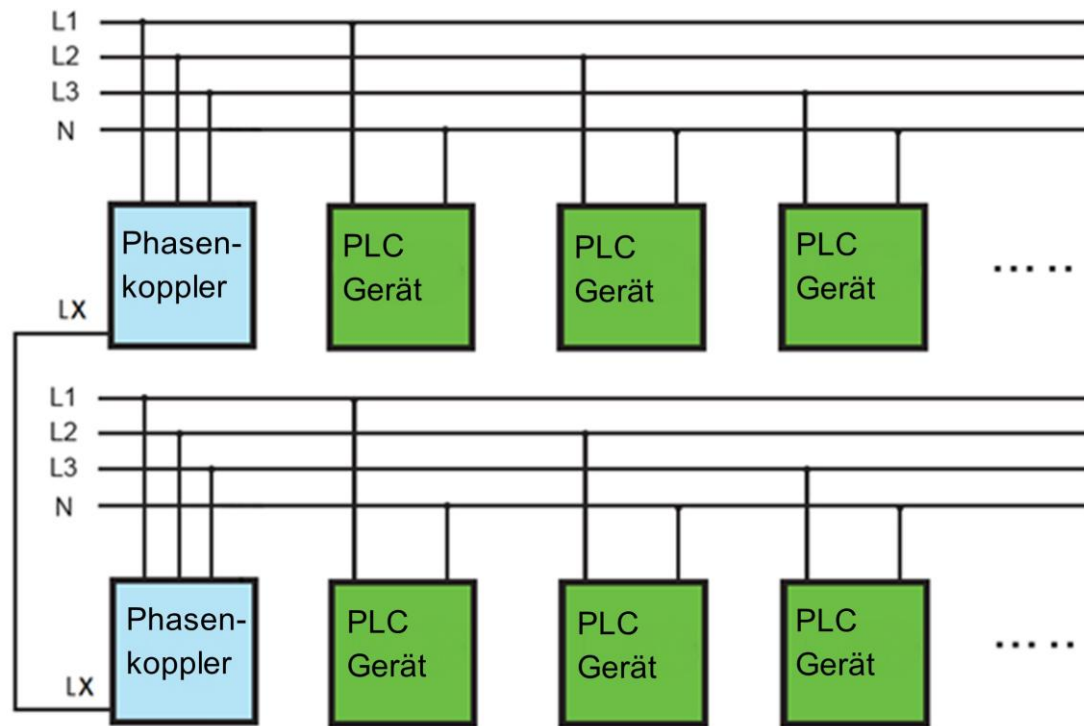
Einfache Installation.

Bandbreite der Kopplungsfrequenz.

Niedrige Dämpfung.

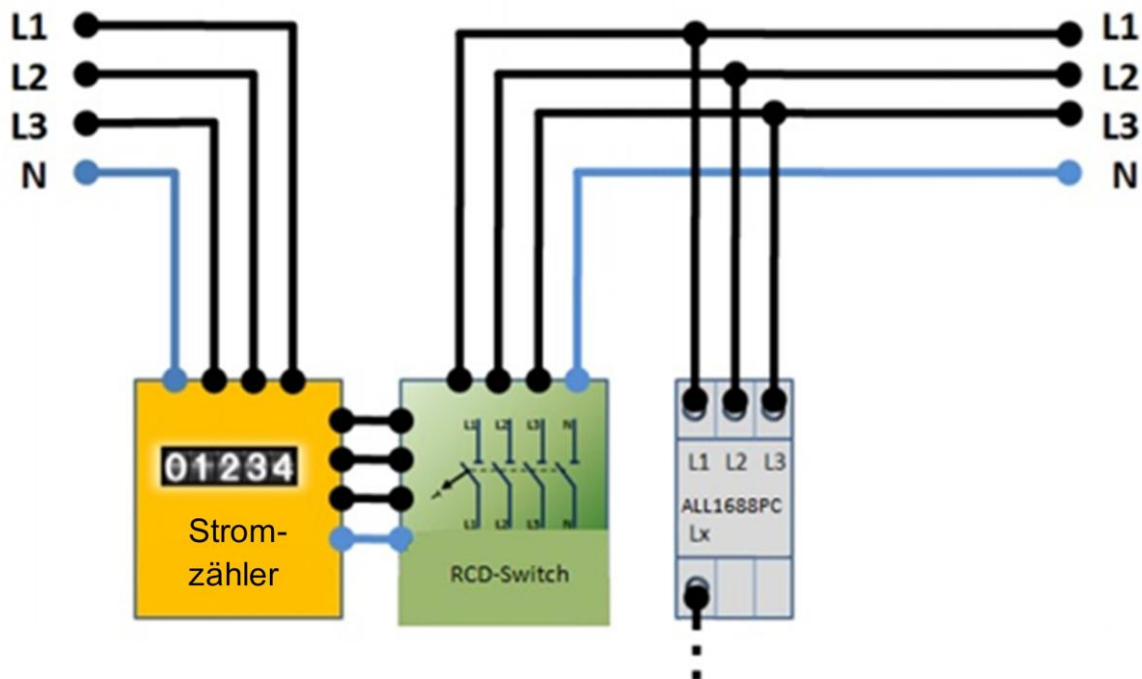
Auch kompatibel mit Powerline Geräten von anderen Herstellern.

Installation



Sicherheitswarnungen:

Eine erfolgreiche Benutzung des Phasenkopplers setzt die ordnungsgemäße Installation, Wartung und den Betrieb voraus. Der Phasenkoppler muss wie folgt installiert werden:



Eine falsche Installation und Wartung können zu Verletzungen sowie Schäden an elektrischen Geräten oder anderem Eigentum führen. Nur erfahrendes Fachpersonal darf den Phasenkoppler installieren, betreiben und warten. Die Installation muss alle lokalen und nationalen Vorschriften zur Elektronik befolgen, um eine sichere Installation zu gewährleisten. Wir empfehlen, dass die Installation von einem qualifizierten Elektriker durchgeführt wird.



CE-Declaration of Conformity

For the following equipment:

Germering, November 15, 2011

HomePlug Phase Coupler

ALL1688PC



The safety advice in the documentation accompanying the products shall be obeyed. The conformity to the above directive is indicated by the CE sign on the device.

The Allnet ALL1688PC conforms to the Council Directives of 89/336/EC.

This equipment meets the following conformance standards:

EN55022:1998+A1:2000+A2:2003

EN61000-3-2:2000

EN61000-3-3:1995+A1:2001

EN55024:1998/A1:2001/A2:2003

This equipment is intended to be operated in all countries.

This declaration is made by

ALLNET Computersysteme GmbH
Maistraße 2
82110 Germering
Germany

Germering, 15.11.2011



Wolfgang Marcus Bauer
CEO