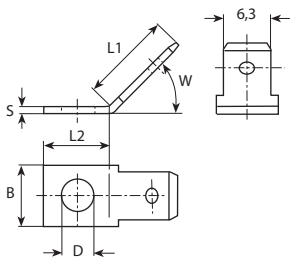


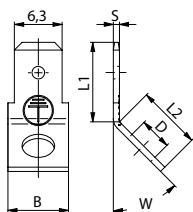
Werkstoff/Matière/Material  
 .2 = Bronze/bronze  
 .6 = Messing/laiton/brass  
 .8 = rostfreier Stahl/acier inox/stainless steel  
 .9 = Stahl/acier/steel

= Oberflächen/Surface/Surface-plating  
 Seite/page/page 5.011



\* = ohne Bohrung / \* = sans trou / \* = without hole

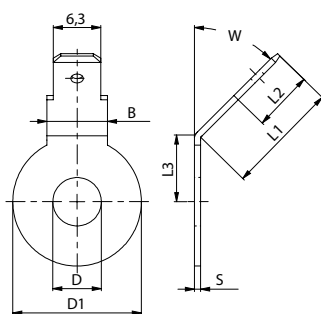
øD mm	B mm	L1 mm	L2 mm	W mm	S mm	Artikelnummer Numéro d'article Part-No.
*	8	10.5	8.5	45°	0.8	3841.80
	8	10.5	8.5	45°	0.8	3841.9
2.2	8	10.5	8.5	45°	0.8	3843.6
3.2	8	10.5	8.5	45°	0.8	3847.6
3.7	8	10.5	8.5	45°	0.8	3851.6
	8	10.5	8.5	45°	0.8	3851.9
4.3	8	10.5	8.5	30°	0.8	3855.6
	8	10.5	8.5	45°	0.8	3856.2
	8	10.5	8.5	45°	0.8	3856.6
	8	10.5	8.5	45°	0.8	3856.80
5.3	8	10.5	8.5	30°	0.8	3860.6
	8	10.5	8.5	45°	0.8	3861.6
6.3	8	10.5	8.5	45°	0.8	3864b.2
	8	10.5	8.5	45°	0.8	3864b.6



øD mm	B mm	L1 mm	L2 mm	W mm	S mm	Artikelnummer Numéro d'article Part-No.
3.2	8	10.5	8.5	45°	0.8	3847e.6
4.3	8	10.5	8.5	45°	0.8	3856e.9

Werkstoff/Matière/Material  
 .6 = Messing/laiton/brass  
 .8 = rostfreier Stahl/acier inox/stainless steel

= Oberflächen/Surface/Surface-plating  
 Seite/page/page 5.011



øD mm	øD1 mm	B mm	L1 mm	L2 mm	L3 mm	W mm	S mm	Artikelnummer Numéro d'article Part-No.
6.3	17	8.3	10	8	8.5	45°	0.8	3869q45.6
6.4	17	8	15	8	8.5	45°	0.8	3870e45.6
6.5	14	8.4	9	8	7	20°	0.8	3870g20.80
	14	8.4	10	8	7	45°	0.8	3870g45.6
8.4	17	8.3	10	8	8.5	45°	0.8	3869n45.6
	17	8	15	8	8.5	45°	0.8	3870f45.6
10.5	17	8	15	8	8.5	45°	0.8	3870h45.6