
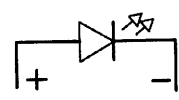
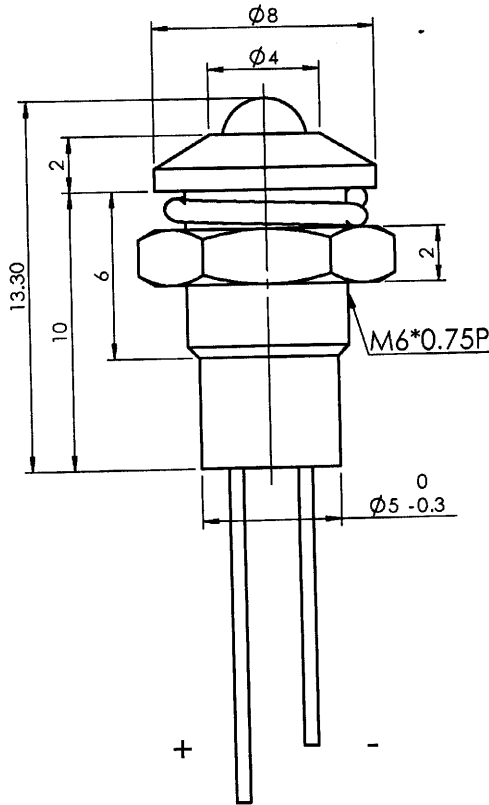
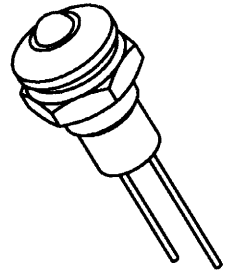


Rating	See Table Below					 Panel Thickness: 3.5 max	
Contact Resistance	See Table Below						
Insulation Resistance	DC500V 100M OHM Min						
Dielectric Strength	AC500V 1Minute						
Operation Temperature	-25°C~+85°C						
Led Color	Lens Color	VF	IF	Viewing Angle	Mcd		
Red	Red diffused	2.0V	20mA	50°	50		
Green	Green diffused	2.1V	20mA	50°	45		
Yellow	Yellow diffused	2.1V	20mA	50°	40		



Remark:

1. LED Type:  $\phi 3\text{mm}$
2. Unless Otherwise Specified  
All Tolerances To Be  $\pm 0.2$
3. ROHS Compliant

Date	Name	Descriptions				NO
Drawn	Checked	Approved	SCI No.	Model Name	LED Indicator light	
鍾運穎	李元生		Customer No.	Model No.	R9-3612	
07.07.07'	2007-7-10		Unit	mm	© SHIN CHIN INDUSTRIAL CO., LTD.	