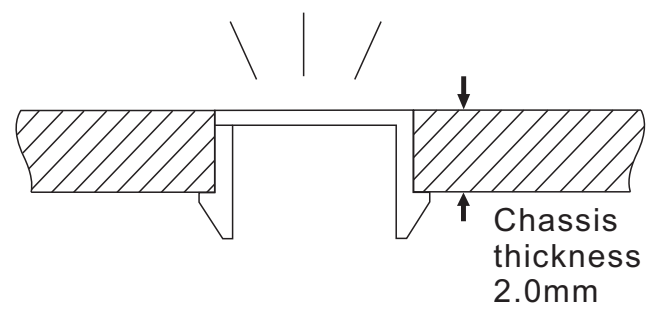
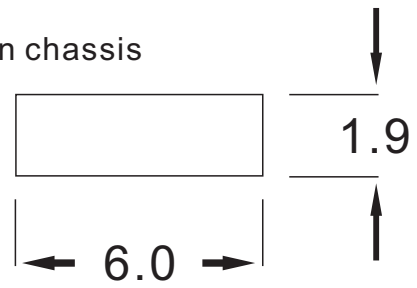


Hole in chassis



Material: PC 94V-2

DATE	REVISION	APPROVAL BY	Unit	mm ± 0.3	LED PIPE Model: BHB-06PCW SUGO INDUSTRIAL CO., LTD. TEL : 852-27901280 FAX : 852-23890688 Email : sales@sugo.com.hk
			DRAW BY	Oscar Wong	
			APPROVAL BY	Rikki So	
			DATE	03-12-11	