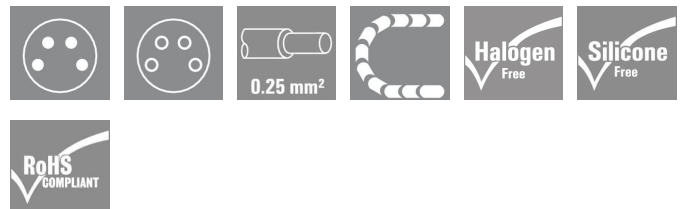


## SAIL-M8WM8W-4-10U

**Weidmüller Interface GmbH & Co. KG**  
 Klingenbergstraße 16  
 D-32758 Detmold  
 Germany  
 Fon: +49 5231 14-0  
 Fax: +49 5231 14-292083  
 www.weidmueller.com



Sensor/actuator cables are used for wiring sensors and actuators and for transmitting data or power in various applications. The moulded cable offers connected and tested connection of the plug-in connector to the cable ex-works. The cables may be exposed to a wide range of conditions, such as humidity, dust, heat, cold, shock or vibration.

Our developers have focused specifically on this issue and designed a host of different M8 and M12 sensor-actuator cables so you are bound to find the solution you need for your application.

Is there something you have not managed to find or you feel needs explanation? Talk to us!

### General ordering data

Type	SAIL-M8WM8W-4-10U
Order No.	<a href="#">1857681000</a>
Version	Sensor/actuator line, Connecting line, M8 / M8, No. of poles: 4, 10 m, pin, straight - socket, 90°, shielded: No, LED: No, Sheath material: PUR, Halogen: No
GTIN (EAN)	4032248403929
Qty.	1 pc(s).

## SAIL-M8WM8W-4-10U

**Weidmüller Interface GmbH & Co. KG**  
 Klingenbergstraße 16  
 D-32758 Detmold  
 Germany  
 Fon: +49 5231 14-0  
 Fax: +49 5231 14-292083  
 www.weidmueller.com

## Technische Daten

### Dimensions and weights

Net weight 291 g

### Technical specifications for cable

No. of poles shielded	4 No	Core cross-section	0.25 mm <sup>2</sup>
Colour coding	Brown, White, Blue, Black	Insulation	TPM
Sheathing colour	Black	Sheath material	PUR
Cable length	10 m	Outer diameter	4.4 ± 0.2 mm
Temperature range, moving, max.	80 °C	Temperature range, moving, min.	-25 °C
Temperature range, stationary, max.	80 °C	Temperature range, stationary, min.	-40 °C
Suitable for cable carriers	Yes	Halogen	No
Bending radius, min., stationary	5 x cable diameter	Torsion resistance	180 °/m
Acceleration	5 m/s <sup>2</sup>	Bending radius, min., moving	10 x cable diameter
Bending cycles	5 Mio	Speed	200 m/min
		Resistant to welding beads	No

### General technical data

Version	pin, straight - socket, 90°	Contact tube diameter	M8 / M8
Housing main material	PUR	Threaded ring material	Brass, nickel-plated
Coding	none	Protection degree	IP 65, IP 66, IP 67, IP 68, (when screwed in)
Contact surface	Gold-plated	LED	No
Rated voltage	30 V	Rated current	4 A
Insulation resistance	10 <sup>8</sup> Ω	Temperature range of housing	-25...+85 °C
Tightening torque	M8: 0.5 - 0.6 Nm	Plugging cycles	≥ 100
Pollution severity	3	Plugging cycles jumpered	No

### Classifications

ETIM 3.0	EC001855	UNSPSC	26-12-16-13
eClass 5.1	27-06-91-90	eClass 6.2	27-27-92-18
eClass 7.1	27-06-91-90		

### Approvals

Approvals



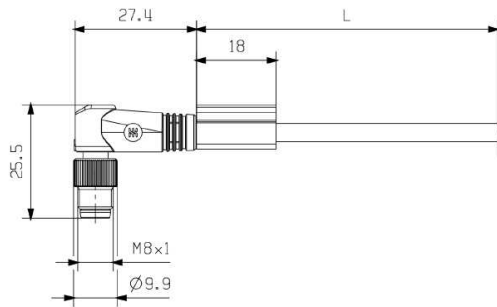
ROHS Conform

**SAIL-M8WM8W-4-10U**

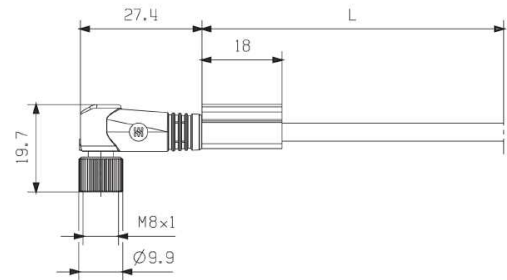
**Weidmüller Interface GmbH & Co. KG**  
 Klingenbergstraße 16  
 D-32758 Detmold  
 Germany  
 Fon: +49 5231 14-0  
 Fax: +49 5231 14-292083  
 www.weidmueller.com

**Zeichnungen**

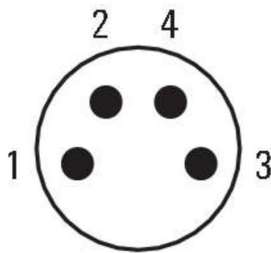
**Dimensioned drawing**



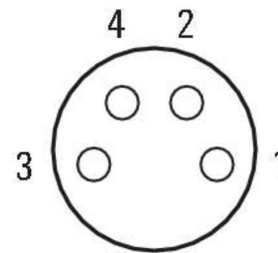
**Dimensioned drawing**



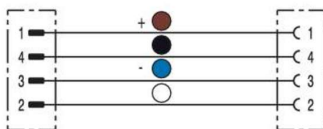
**Pole scheme**



**Pole scheme**



**Wiring diagram**



**The ideal tool, the Screwty<sup>®</sup> with torque function**



Light, securely screwed-in round plug-in connectors. Screwty set DM / VPE: 1 / Order No.: 1920000000 Adapters: M12, M12 F, M8, M8 F