

AZ881

8 A SPST / 5 A DPST POLARIZED SUBMINIATURE POWER RELAY MONOSTABLE OR LATCHING

FEATURES

- Dielectric strength 4000 Vrms
- Single and dual coil latching versions available
- Epoxy sealed version available
- 8 Amp switching
- Class F (155°C) insulation available
- UL, CUR file E44211



CONTACTS

Arrangement	SPST (1 Form A), DPST (2 Form A) DPST (1 Form A and 1 Form B)
Ratings	Resistive load: Max. switched power: 150 W or 2000 VA (SPST) 150 W or 1250 VA (DPST) Max. switched current: 8 A (SPST) 5 A (DPST) Max. switched voltage: 150 VDC or 380 VAC* * Note: If switching voltage is greater than 30 VDC, special precautions must be taken. Please contact the factory.
Rated Load UL, CUR	SPST 8 A at 250 VAC resistive, 100k cycles 5 A at 30 VDC resistive, 100k cycles 1/6 HP at 250 VAC DPST 5 A at 250 VAC resistive, 100k cycles 5 A at 30 VDC resistive, 100k cycles 1/6 HP at 250 VAC
Material	Silver nickel, gold plating optional
Resistance	< 50 milliohms initially

GENERAL DATA

Life Expectancy Mechanical Electrical	Minimum operations 1 x 10 ⁷ 1 x 10 ⁵ at 8 A 250 VAC resistive (SPST)
Operate Time (typical)	5 ms at nominal coil voltage
Release Time (typical)	3 ms at nominal coil voltage (with no coil suppression)
Set Time (typical)	5 ms at nominal coil voltage Recommended coil pulse: 20 ms
Reset Time (typical)	4 ms at nominal coil voltage Recommended coil pulse: 20 ms
Dielectric Strength (at sea level)	4000 Vrms contact to coil 1000 Vrms between open contacts 2000 Vrms between contact sets
Insulation Resistance	1000 megohms min. at 20°C 500 Vdc 50% RH
Dropout	Greater than 10% of nominal coil voltage
Ambient Temperature Operating Storage	At nominal coil voltage -40°C (-40°F) to 70°C (158°F) -40°C (-40°F) to 130°C (266°F)
Vibration	0.078" DA at 10 to 55 Hz
Shock	20 g functional 100 g destructive
Enclosure	P.B.T. polyester
Terminals	Tinned copper alloy, P.C.
Max. Solder Temp.	270°C (518°F)
Max. Solder Time	5 seconds
Max. Solvent Temp.	80°C (176°F)
Max. Immersion Time	30 seconds
Weight	5 grams
Packing unit in pcs	50 per plastic tube / 2000 per carton box

COIL

Power	
At Pickup Voltage (typical)	192 mW (monostable, 2 coil latching) 96 mW (1 coil latching)
Max. Continuous Dissipation	0.75 W at 20°C (68°F) ambient
Temperature Rise	30°C (54°F) at nominal coil voltage
Max. Temperature	130°C (266°F) Class B, 155°C (311°F) Class F

NOTES

1. All values at 20°C (68°F).
2. Relay may pull in with less than "Must Operate" value.
3. Relay has fixed coil polarity.
4. For complete isolation between the relay's magnetic fields, it is recommended that a .197" (5.0 mm) space be provided between adjacent relays.
5. Relay adjustment may be affected if undue pressure is exerted on relay case.
6. Specifications subject to change without notice.

ZETTLER electronics GmbH

Junkersstrasse 3, D-82178 Puchheim, Germany

Tel. +49 89 800 97 0
Fax +49 89 800 97 200

office@ZETTLERelectronics.com
www.ZETTLERelectronics.com

AZ881

RELAY ORDERING DATA

AZ881

COIL SPECIFICATIONS - MONOSTABLE				ORDER NUMBER*		
Nominal Coil VDC	Must Operate VDC	Max. Continuous VDC Ohm \pm 10%	Coil Resistance	1 Form A	2 Form A	1 Form A 1 Form B
3	2.4	4.7	30	AZ881-1A-3D	AZ881-2A-3D	AZ881-1AB-3D
5	4.0	7.9	83	AZ881-1A-5D	AZ881-2A-5D	AZ881-1AB-5D
6	4.8	9.6	120	AZ881-1A-6D	AZ881-2A-6D	AZ881-1AB-6D
9	7.2	14.4	270	AZ881-1A-9D	AZ881-2A-9D	AZ881-1AB-9D
12	9.6	19.2	480	AZ881-1A-12D	AZ881-2A-12D	AZ881-1AB-12D
24	19.2	37.9	1920	AZ881-1A-24D	AZ881-2A-24D	AZ881-1AB-24D

*Add suffix "E" for epoxy sealed version. Add suffix "A" for gold plated contacts. Add suffix "R" for reversed polarity coil. Add suffix "F" for class F insulation.

AZ881P1

COIL SPECIFICATIONS - SINGLE COIL LATCHING				ORDER NUMBER*		
Nominal Coil VDC	Must Operate VDC	Max. Continuous VDC Ohm \pm 10%	Coil Resistance	1 Form A	2 Form A	1 Form A 1 Form B
3	2.4	6.7	60	AZ881P1-1A-3D	AZ881P1-2A-3D	AZ881P1-1AB-3D
5	4.0	11.2	167	AZ881P1-1A-5D	AZ881P1-2A-5D	AZ881P1-1AB-5D
6	4.8	13.4	240	AZ881P1-1A-6D	AZ881P1-2A-6D	AZ881P1-1AB-6D
9	7.2	20.1	540	AZ881P1-1A-9D	AZ881P1-2A-9D	AZ881P1-1AB-9D
12	9.6	26.8	960	AZ881P1-1A-12D	AZ881P1-2A-12D	AZ881P1-1AB-12D

*Add suffix "E" for epoxy sealed version. Add suffix "A" for gold plated contacts. Add suffix "R" for reversed polarity coil. Add suffix "F" for class F insulation.

AZ881P2

COIL SPECIFICATIONS - DUAL COIL LATCHING				ORDER NUMBER*		
Nominal Coil VDC	Must Operate VDC	Max. Continuous VDC Ohm \pm 10%	Coil Resistance	1 Form A	2 Form A	1 Form A 1 Form B
3	2.4	4.7	30	AZ881P2-1A-3D	AZ881P2-2A-3D	AZ881P2-1AB-3D
5	4.0	7.9	83	AZ881P2-1A-5D	AZ881P2-2A-5D	AZ881P2-1AB-5D
6	4.8	9.6	120	AZ881P2-1A-6D	AZ881P2-2A-6D	AZ881P2-1AB-6D
9	7.2	14.4	270	AZ881P2-1A-9D	AZ881P2-2A-9D	AZ881P2-1AB-9D
12	9.6	19.2	480	AZ881P2-1A-12D	AZ881P2-2A-12D	AZ881P2-1AB-12D
24	19.2	37.9	1920	AZ881P2-1A-24D	AZ881P2-2A-24D	AZ881P2-1AB-24D

*Add suffix "E" for epoxy sealed version. Add suffix "A" for gold plated contacts. Add suffix "R" for reversed polarity coil. Add suffix "F" for class F insulation.

ZETTLER electronics GmbH

Junkersstrasse 3, D-82178 Puchheim, Germany

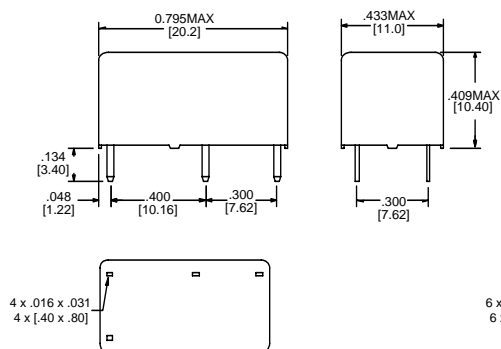
Tel. +49 89 800 97 0
Fax +49 89 800 97 200

office@ZETTLERelectronics.com
www.ZETTLERelectronics.com

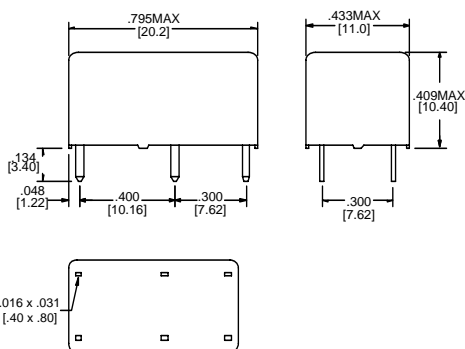
MECHANICAL DATA

Outline Dimensions

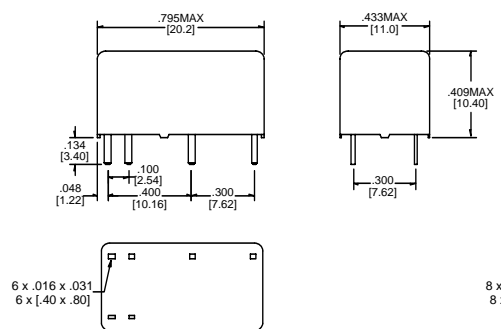
Monostable and 1 coil latching -1A



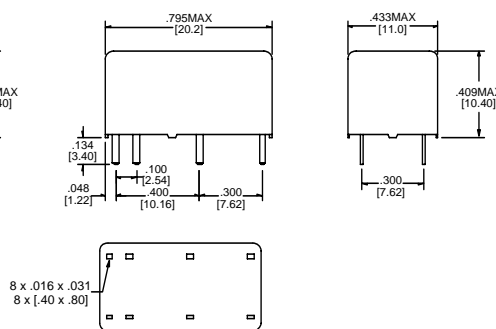
-2A, -1AB



2 coil latching -1A

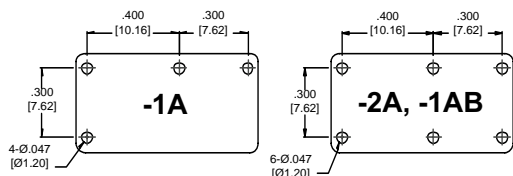


-2A, -1AB

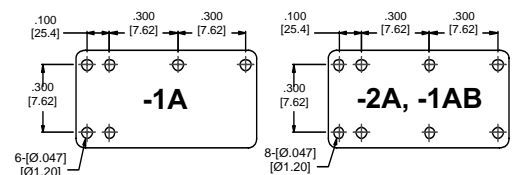


PC Board Layout

Monostable and 1 coil latching



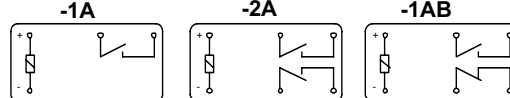
2 coil latching



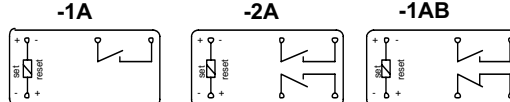
Viewed toward terminals

Wiring Diagrams

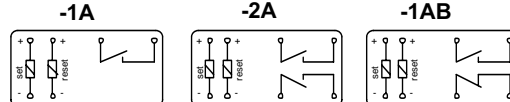
Monostable (Denergized condition)



1 coil latching (Reset condition)



2 coil latching (Reset condition)



Viewed toward terminals

Dimensions in inches with metric equivalents in parentheses. Tolerance: $\pm .010$ "