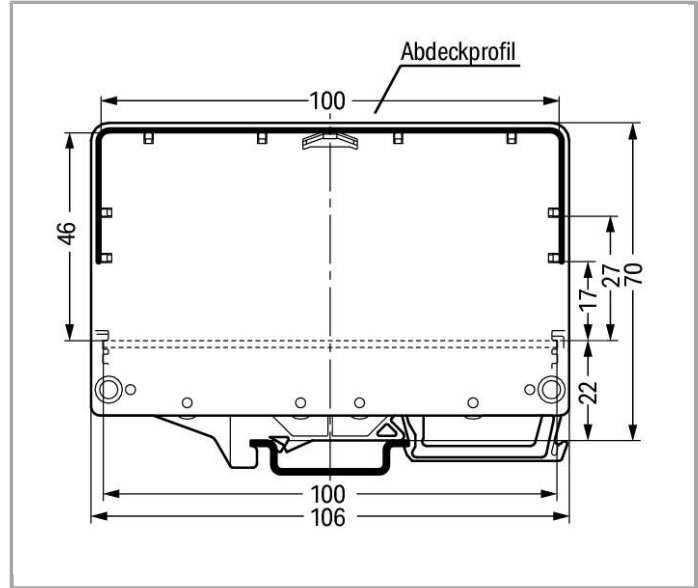


Data sheet | Item number: 288-626

Lateral cover; Size 2; large; 8.75 mm thick

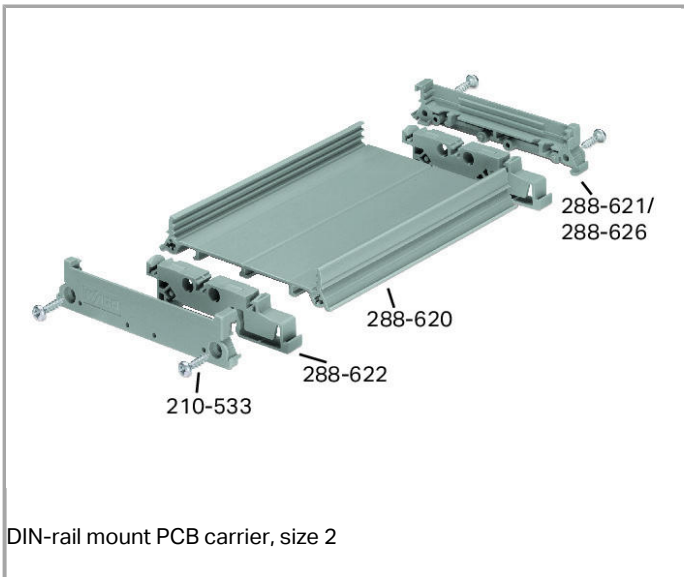
[www.wago.com/288-626](http://www.wago.com/288-626)



RoHS  Compliant

[BOMcheck.net](http://BOMcheck.net)

Color: ■



DIN-rail mount PCB carrier, size 2

### Item description

DIN-rail mount PCB carrier, size 2 with cover – lateral cover, size 2; large; 8.75 mm thick

## Data

## Geometrical Data

Width	8.75 mm / 0.344 inch
Depth	106 mm / 4.173 inch

## Mechanical data

Type of mounting	DIN-35 rail
------------------	-------------

## Material Data

Color	gray
Fire load	0.357 MJ
Weight	11.89 g

## Commercial data

Country of origin	DE
GTIN	4017332649865
Customs Tariff No.	85472000900
Product Group	6 (Interface Electronics)

## Compatible products

## General accessories



Item no.: 210-533  
Phillips screw 2.9 x 13

[www.wago.com/210-533](http://www.wago.com/210-533)

## Downloads

## Documentation

## Additional Information

Disposal; Electrical and electronic equipment, Packaging	Oct 15, 2018	Download
		265.8 kB

## smartDATA

## CAD data

3D Download 288-626	URL	Download
---------------------	-----	----------



Subject to changes.

---

WAGO Kontakttechnik GmbH & Co. KG  
Hansastr. 27  
32423 Minden  
Phone: +49571 887-0 | Fax: +49571 887-169  
Email: [info.de@wago.com](mailto:info.de@wago.com) | Web: [www.wago.com](http://www.wago.com)

Do you have any questions about our products?  
We are always happy to take your call at +49 (571) 887-44222.