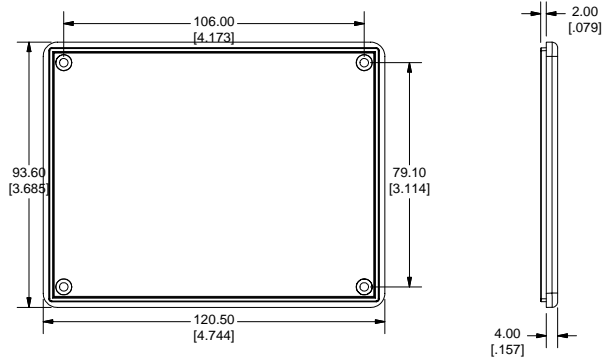
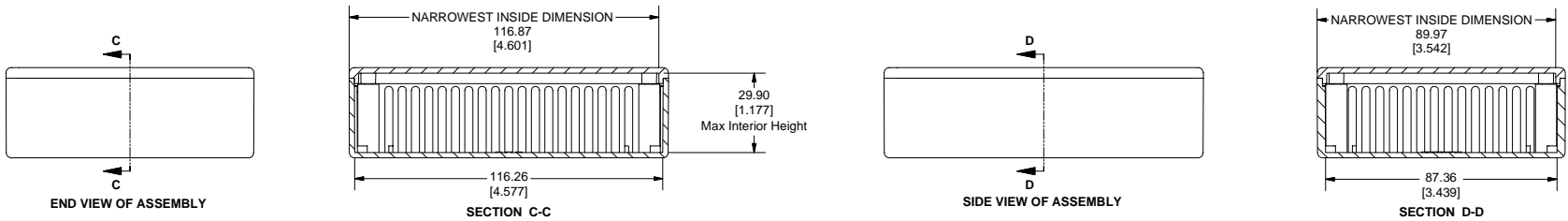
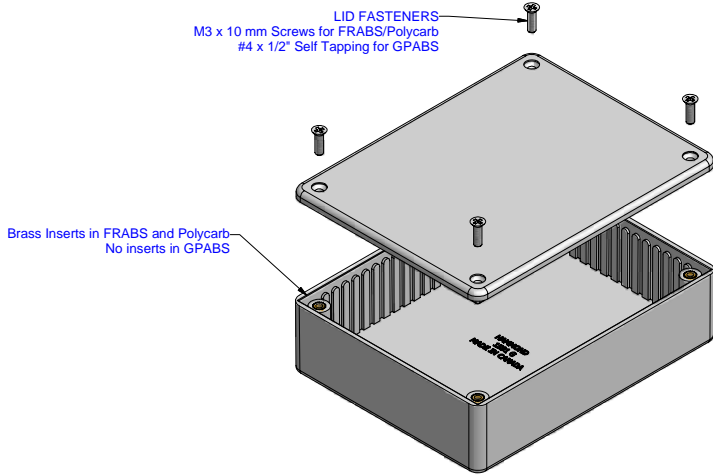
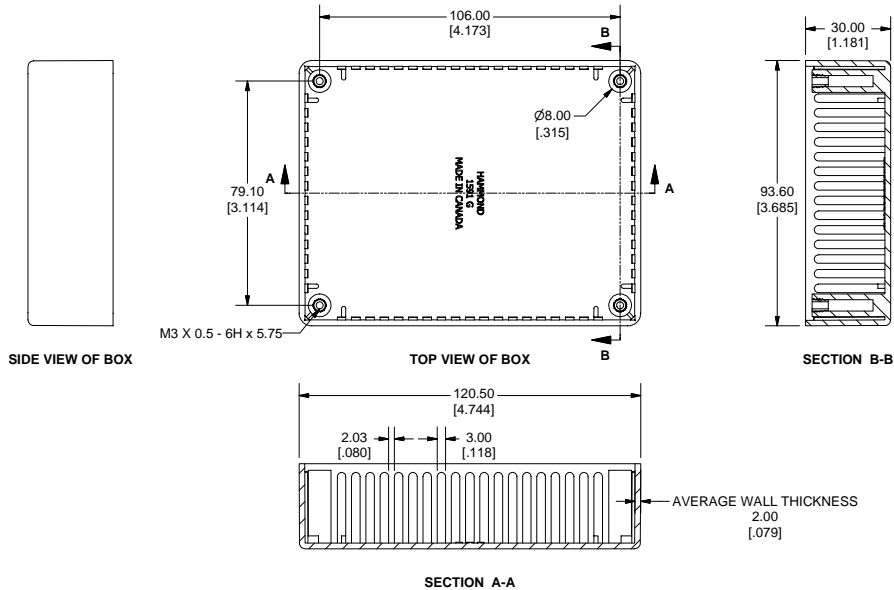


1591G Enclosure



Note:
 Enclosures can be Factory Modified (Milling, Drilling, Printing etc.)
 Solid models of this enclosure available in STEP or IGES Format.
 Contact Factory mjm@hammondmfg.com



PART NUMBERS		
1591G Enclosures		
Material	Colour	Part Number
FR ABS UL94 - V0	Black	1591GBK
	Grey	1591GGY
GP ABS	Black Shielded (Conductive Paint)	1591RGBK
	Black	1591GSBK
Translucent Polycarbonate	Grey	1591GSGY
	Ice Blue	1591GTBU
	IR Red	1591GTRD
	Crystal Clear	1591GTCL
Accessories		
	Description	Part Number
Universal Application	PC Board Card Adapters	See Accessories Section
	Flange Kits	See Accessories Section
	Clear Lids - clear, flame retardant polycarbonate - Lid ONLY	1591GC
FR ABS & Polycarbonate	Replacement Screws, Flat head Phillips, Nickel Plated Pkg of 100	1591MS100 1591TS100BK (Black)
GP ABS	Self Tapping Pkg of 100	1591TS100 1591TS100BK (Black)
Required Torque on Fasteners (no lubrication)		
M3 - 0.5 x 10mm Screws		30-40 cN*m
#4 x 0.5 Screws		30-40 cN*m