

Base strip - MCDN 1,5/10-G1-3,5 P26THR - 1953790

Please be informed that the data shown in this PDF Document is generated from our Online Catalog. Please find the complete data in the user's documentation. Our General Terms of Use for Downloads are valid (<http://download.phoenixcontact.com>)



Header, Nominal current: 8 A, Rated voltage (III/2): 160 V, Number of positions: 10, Pitch: 3.5 mm, Color: Black, Contact surface: Tin, Assembly: SMD/THT/THR, The pin length is 26 mm. User information and design recommendations on Through Hole Reflow Technology can be found at: <http://www.combicon.com>

The figure shows a 10-pos. version with 20 contacts

Product Features

- Versions with engagement noses for locking plugs with self-locking flanges
- Plug-in direction parallel to the PCB
- Low-profile THR double-level pin strips with compact pitches of 3.5 mm and 3.81 mm
- Use in SMT reflow processes
- Without offset levels, for flush installation on the front of devices

Key commercial data

package_quantity	50
GTIN	4017918919320

Technical data

Dimensions

Length	13.3 mm
Height	15.2 mm
Pitch	3.5 mm
Dimension a	31.5 mm
Pin dimensions	0,8 x 0,8 mm
Pin spacing	3.50 mm
Hole diameter	1.4 mm

General

Range of articles	MCDN 1,5/...G1-THR
Insulating material group	IIIa
Rated surge voltage (III/3)	2.5 kV
Rated surge voltage (III/2)	2.5 kV
Rated surge voltage (II/2)	2.5 kV
Rated voltage (III/3)	160 V
Rated voltage (III/2)	160 V
Rated voltage (II/2)	250 V
Connection in acc. with standard	EN-VDE

Base strip - MCDN 1,5/10-G1-3,5 P26THR - 1953790

Technical data

General

Nominal current I _N	8 A
Maximum load current	8 A (per position)
Insulating material	LCP
Inflammability class according to UL 94	V0
Color	Black
Number of positions	10

classifications

eCl@ss

eCl@ss 4.0	272607xx
eCl@ss 4.1	27260701
eCl@ss 5.0	27260701
eCl@ss 5.1	27260701
eCl@ss 6.0	27260704
eCl@ss 7.0	27440402
eCl@ss 8.0	27440402

ETIM

ETIM 3.0	EC001121
ETIM 4.0	EC002637
ETIM 5.0	EC002637


UNSPSC

UNSPSC 6.01	30211810
UNSPSC 7.0901	39121409
UNSPSC 11	39121409
UNSPSC 12.01	39121409
UNSPSC 13.2	39121409

approvals

UL Recognized / cUL Recognized / GOST / GOST / cULus Recognized /

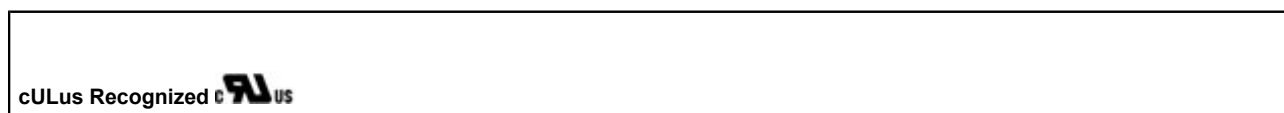
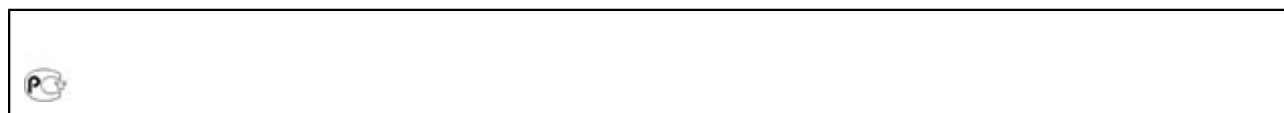
Approval details

UL Recognized 		
Usegroups	B	D
Nominal voltage UN	150 V	150 V
Nominal current I _N	8 A	8 A
mm ² /AWG/kcmil		

Base strip - MCDN 1,5/10-G1-3,5 P26THR - 1953790

approvals

cUL Recognized		
Usegroups	B	D
Nominal voltage UN	150 V	150 V
Nominal current IN	8 A	8 A
mm ² /AWG/kcmil		



accessories

Coding element

CP-MSTB - 1734634



Labeled terminal marker

SK 3,81/2,8:FORTL.ZAHLEN - 0804109



Base strip - MCDN 1,5/10-G1-3,5 P26THR - 1953790

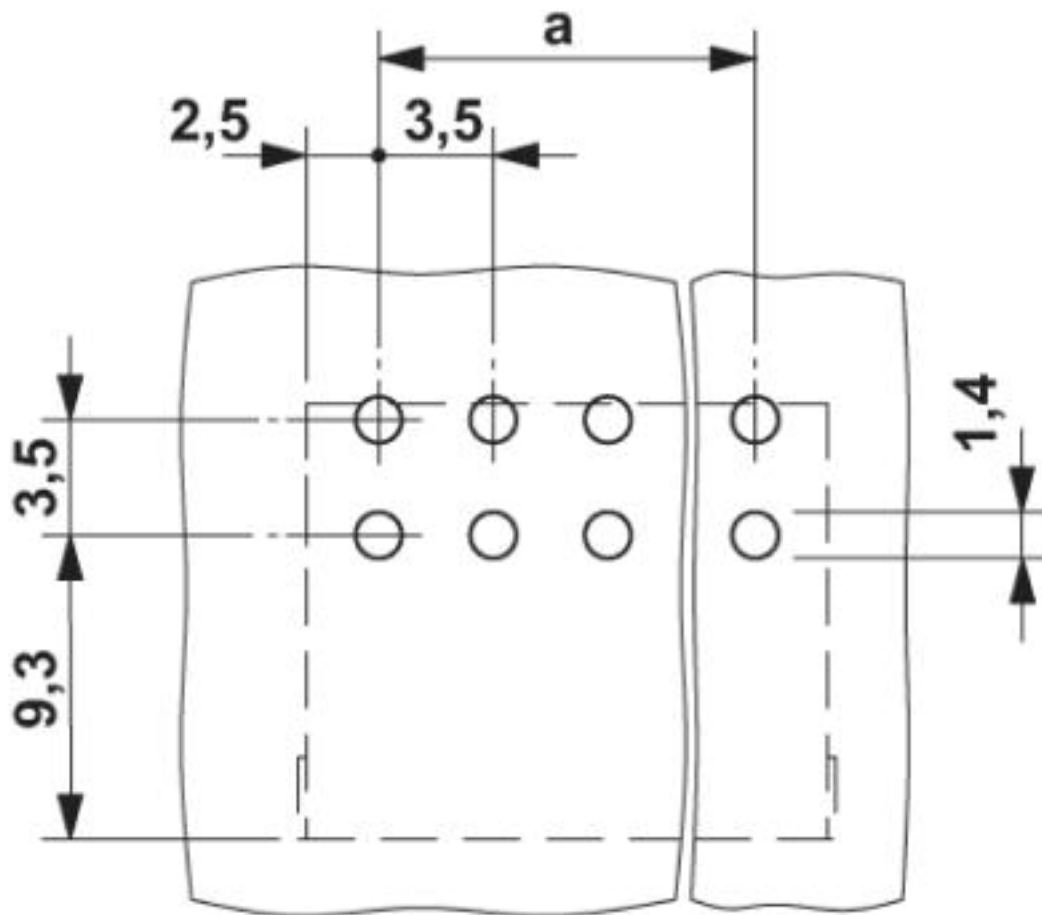
accessories

SK 3,5/2,8:SO - 0805030



Drawings

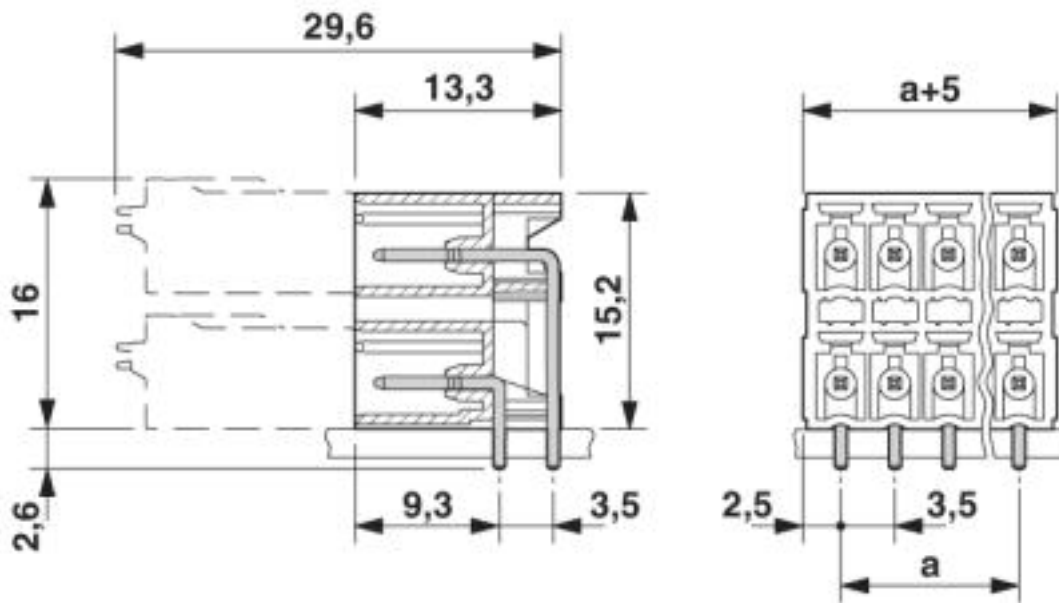
Drilling diagram



*) \leq 8-pos. = 1.3 / $>$ 8-pos. = 1.4

Base strip - MCDN 1,5/10-G1-3,5 P26THR - 1953790

Dimensioned drawing



© Phoenix Contact 2013 - all rights reserved
<http://www.phoenixcontact.com>