

Sensor/Actuator cable - SAC-4PY-MS- 0,6-PUR/2XF - 1436217

Please be informed that the data shown in this PDF Document is generated from our Online Catalog. Please find the complete data in the user's documentation. Our General Terms of Use for Downloads are valid (<http://download.phoenixcontact.com>)



Sensor/Actuator cable, 4-position, PUR halogen-free, Black-gray RAL 7021, Plug straight M12 SPEEDCON, A-coded, on Socket straight M12 SPEEDCON, A-coded and Socket straight M12 SPEEDCON, A-coded, Cable length: 0.6 m

Key commercial data

package_quantity	1
GTIN	4046356432467

Technical data

Dimensions

Length of cable	0.6 m
Center distance	21 mm

Ambient conditions

Ambient temperature (operation)	-25 °C ... 90 °C (Plug / socket)
Degree of protection	IP65
Degree of protection	IP67
Degree of protection	IP68

General

Rated current at 40°C	4 A
Rated voltage	60 V
Number of positions	4
Contact resistance	≤ 5 mΩ
Insulation resistance	≥ 100 MΩ
Coding	A - standard
Standards/regulations	M12 connector IEC 61076-2-101
Status display	No
Surge voltage category	II
Pollution degree	3
Torque	0.4 Nm (M12 connector)

Material

Inflammability class according to UL 94	HB
Contact material	CuSn
Contact surface material	Ni/Au

Sensor/Actuator cable - SAC-4PY-MS- 0,6-PUR/2XF - 1436217

Technical data

Material

Contact carrier material	TPU GF
Material of grip body	TPU, hardly inflammable, self-extinguishing
Material, knurls	Zinc die-cast, nickel-plated
Sealing material	NBR

Cable

Cable type	PUR halogen-free black
Cable type (abbreviation)	PUR
Cable abbreviation	Li9Y11Y-HF
UL AWM style	20549 / 10493 (80°C/300 V)
Conductor cross section	4x 0.34 mm ²
AWG signal line	22
Conductor structure signal line	42x 0.10 mm
Core diameter including insulation	1.27 mm ±0.02 mm
Thickness, insulation	≥ 0.21 mm
Wire colors	brown, white, blue, black
Overall twist	4 wires, twisted
External sheath, color	Black-gray RAL 7021
Outer sheath thickness	approx. 0.8 mm
External cable diameter D	4.7 mm ±0.15 mm
Minimum bending radius, fixed installation	5 x D
Minimum bending radius, flexible installation	10 x D
Number of bending cycles	4000000
Minimum bending radius, drag chain applications	10 x D
Traversing path	10 m
Traversing rate	3 m/s
Acceleration	10 m/s ²
Cable weight	30 kg/km
Outer sheath, material	PUR
Material conductor insulation	PP
Conductor material	Bare Cu litz wires
Insulation resistance	≥ 1 GΩ*km
Conductor resistance	≤ 58 Ω/km
Nominal voltage, cable	≤ 300 V
Test voltage, cable	≥ 3000 V
Special properties	Flexible cable conduit capable
Special properties	Silicone-free
Special properties	Free of substances which would hinder coating with paint or varnish
Special properties	Flexible
Flame resistance	in accordance with DIN UL-Style 20549
Flame resistance	in accordance with FT1 as per UL 758

Sensor/Actuator cable - SAC-4PY-MS- 0,6-PUR/2XF - 1436217

Technical data

Cable

Halogen-free	in accordance with DIN VDE 0472 part 815
Halogen-free	in accordance with DIN EN 50267-2-1
Resistance to oil	in accordance with DIN EN 60811-2-1
Other resistance	Highly resistant to acids, alkaline solutions and solvents
Other resistance	hydrolysis and microbe resistant
Other resistance	partly UV-resistant in accordance with DIN EN ISO 4892-2-A
Other resistance	Low adhesion
Other resistance	abrasion-resistant
Ambient temperature (operation)	-40 °C ... 80 °C (cable, fixed installation)
Ambient temperature (operation)	-25 °C ... 80 °C (cable, flexible installation)

classifications

eCl@ss

eCl@ss 4.0	27060306
eCl@ss 4.1	27060306
eCl@ss 5.0	27061801
eCl@ss 5.1	27061801
eCl@ss 6.0	27061801
eCl@ss 7.0	27061801
eCl@ss 8.0	27061801

ETIM

ETIM 3.0	EC001855
ETIM 4.0	EC001855
ETIM 5.0	EC001855

UNSPSC

UNSPSC 6.01	31251501
UNSPSC 7.0901	31251501
UNSPSC 11	31251501
UNSPSC 12.01	31251501
UNSPSC 13.2	31251501

approvals

GOST /

Approval details



Sensor/Actuator cable - SAC-4PY-MS- 0,6-PUR/2XF - 1436217

accessories

Protective cap

PROT-M12 FS-PA-CHAIN - 1430873



PROT-M12 MS-PA-CHAIN - 1430899



Safety locking

SAC-M12-EXCLIP-M - 1558988



SAC-M12-EXCLIP-F - 1558991



Conductor marking

PABA WH/15 - 1013151



Sensor/Actuator cable - SAC-4PY-MS- 0,6-PUR/2XF - 1436217

accessories

PABA YE/15 - 1013698



PABA RD/15 - 1013944



Marker carrier cable

PATO 2/15 - 1013122



PATO 3/15 - 1013135



PATO 4/15 - 1013148



Marker pen

Sensor/Actuator cable - SAC-4PY-MS- 0,6-PUR/2XF - 1436217

accessories

B-STIFT - 1051993



Torque tool

TSD 04 SAC - 1208429



TSD-M 1,2NM - 1212224



Screwdriver tools

TSD-M SAC-BIT ADAPTER - 1212600



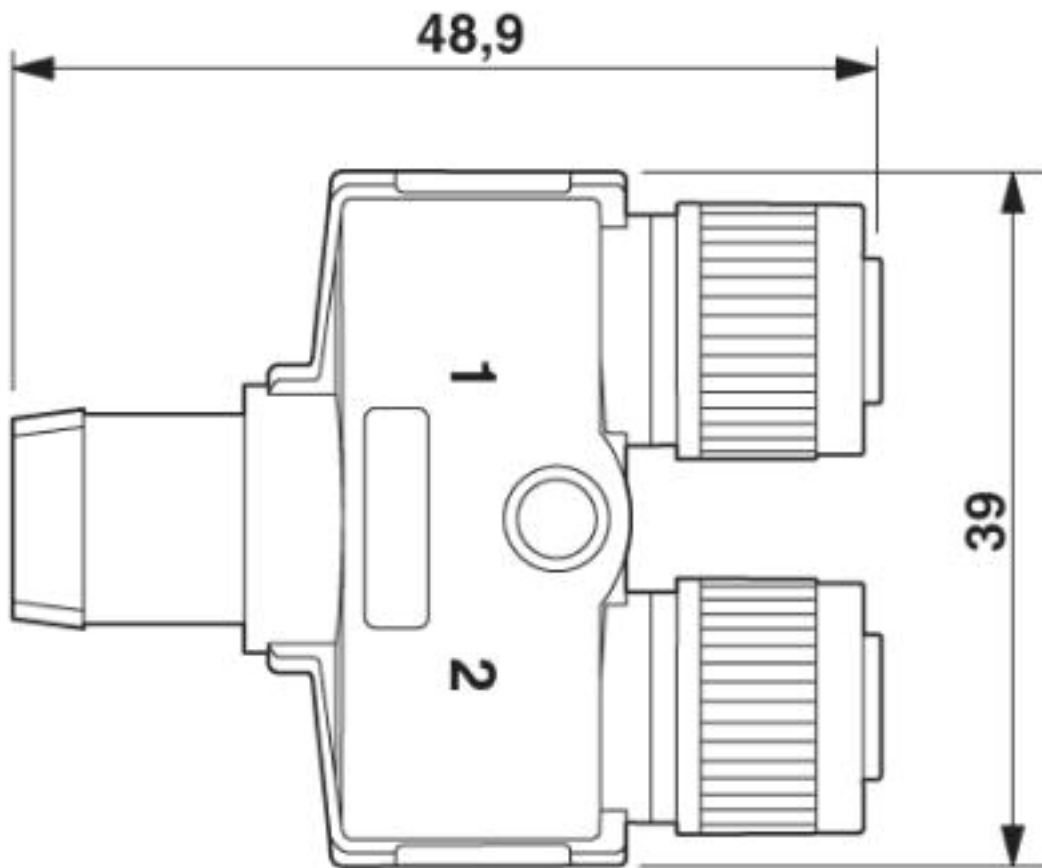
SAC BIT M12-D15 - 1208432



Drawings

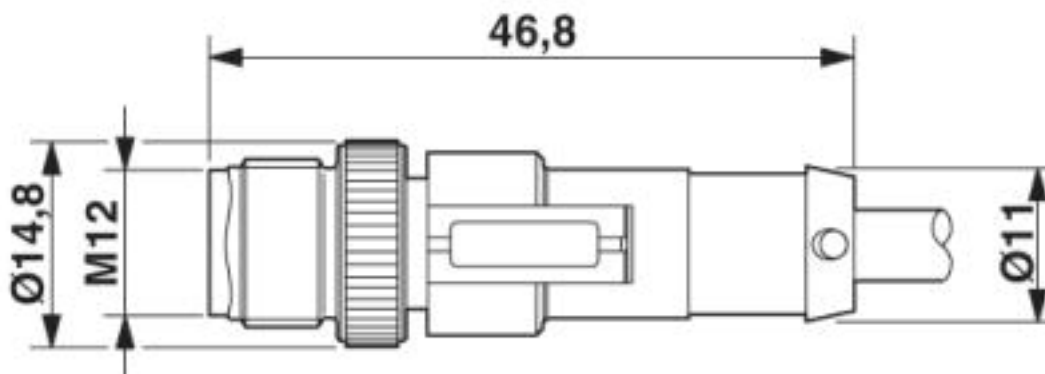
Sensor/Actuator cable - SAC-4PY-MS- 0,6-PUR/2XF - 1436217

Dimensioned drawing



Y distributor, 2 x socket M12 x 1

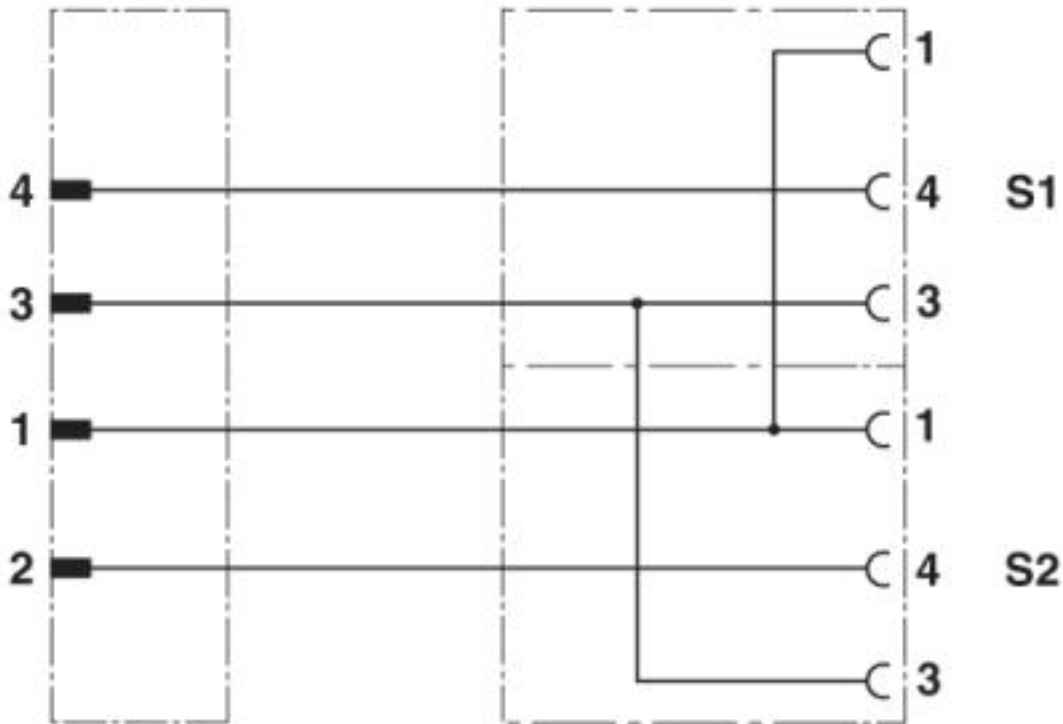
Dimensioned drawing



M12 x 1 plug, straight

Sensor/Actuator cable - SAC-4PY-MS- 0,6-PUR/2XF - 1436217

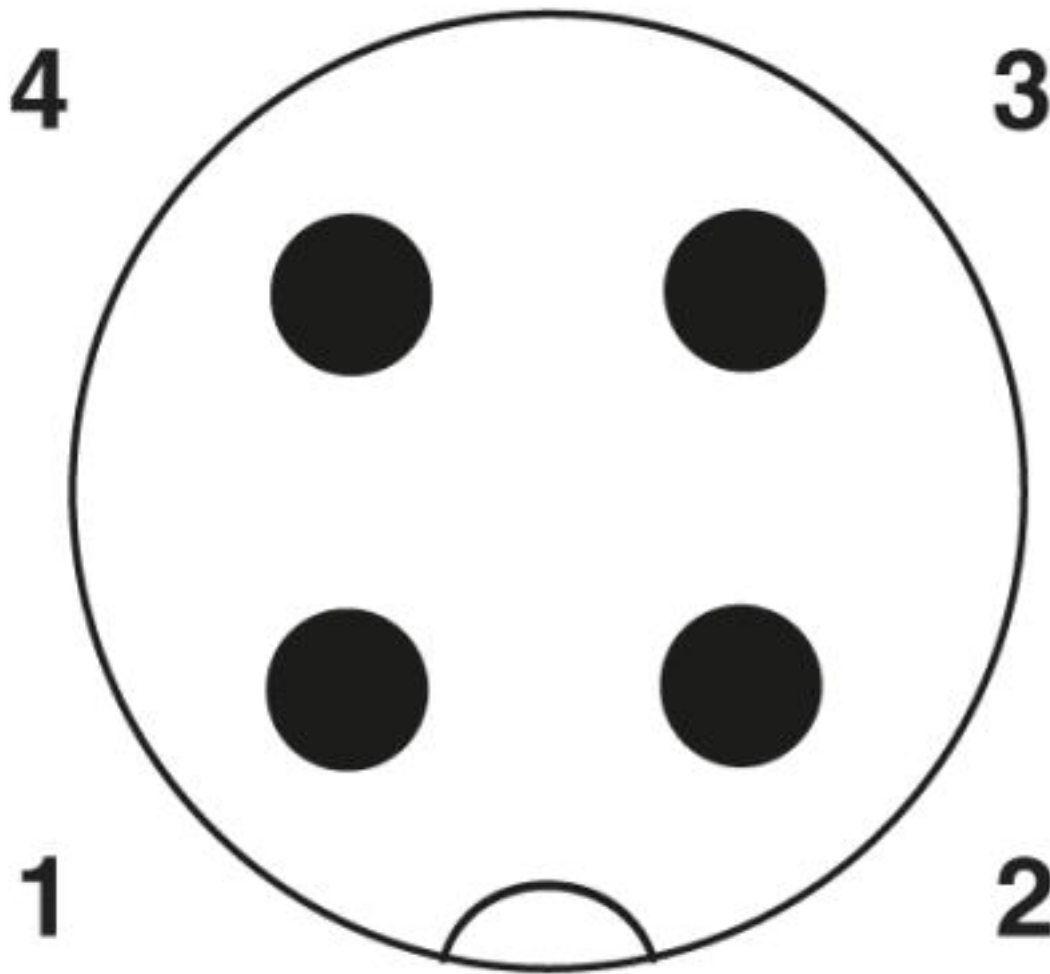
Circuit diagram



Contact assignment of the M12 Y distributor

Sensor/Actuator cable - SAC-4PY-MS- 0,6-PUR/2XF - 1436217

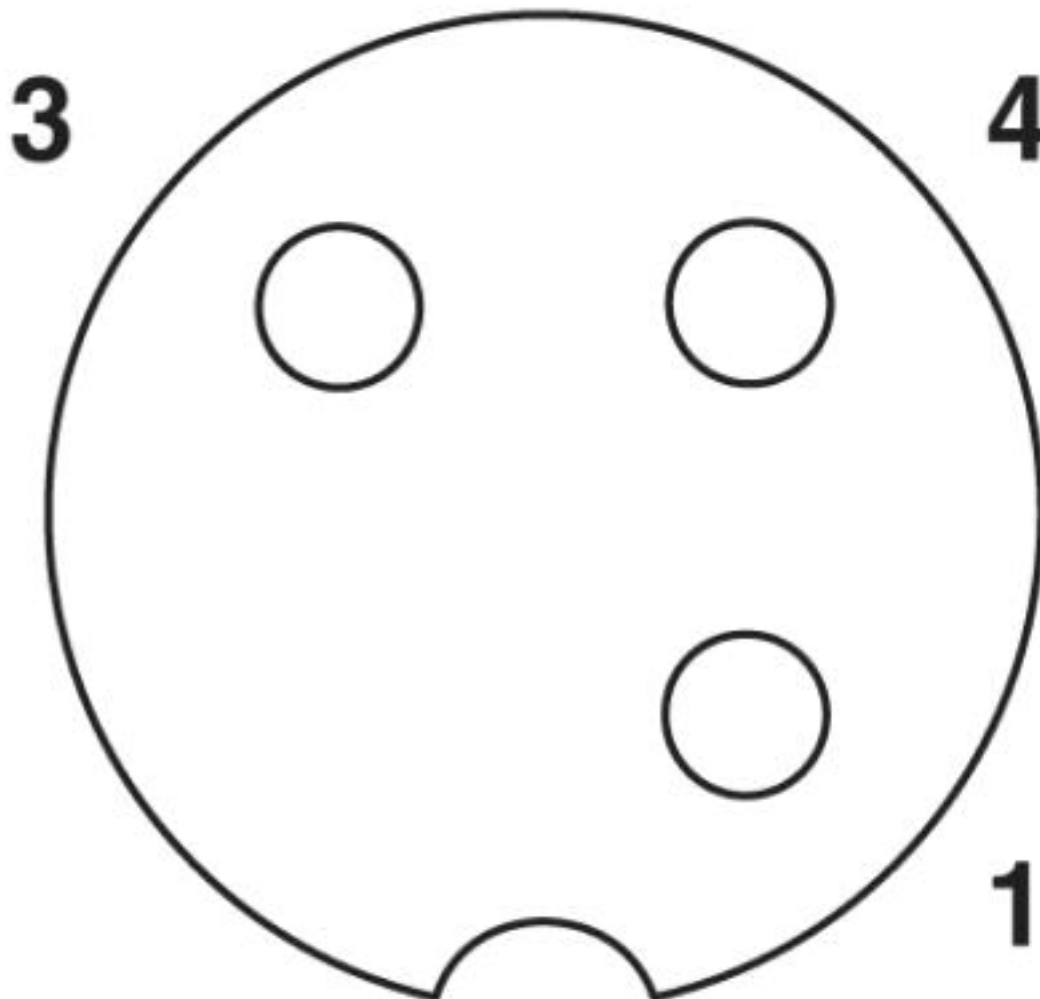
Schematic diagram



Pin assignment M12 plug, 4-pos., A-coded, view plug side

Sensor/Actuator cable - SAC-4PY-MS- 0,6-PUR/2XF - 1436217

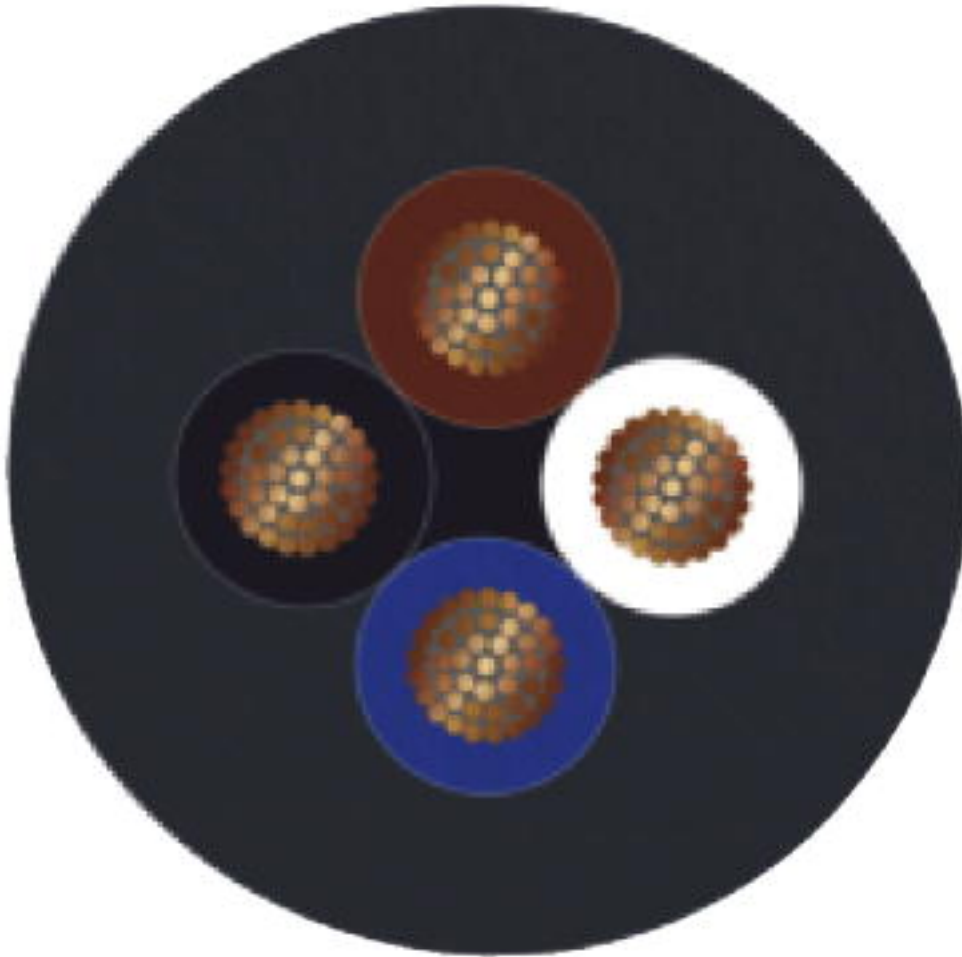
Schematic diagram



Pin assignment M12 socket, 3-pos., A-coded, view female side

Sensor/Actuator cable - SAC-4PY-MS- 0,6-PUR/2XF - 1436217

Cable cross section



PUR halogen-free black [PUR]

© Phoenix Contact 2013 - all rights reserved
<http://www.phoenixcontact.com>