

# Mounting flange - VC-AF - 1852862

Please be informed that the data shown in this PDF Document is generated from our Online Catalog. Please find the complete data in the user's documentation. Our General Terms of Use for Downloads are valid (<http://download.phoenixcontact.com>)



Panel mounting flange for screw locking, for mounting contact insert modules, for a panel thickness of 1 - 5 mm

The illustration shows the mounting flange with panel mounting frame VC-AR1/2M

## Product Features

- Compact design
- Universal connection
- Proven COMBICON technology
- Can be keyed to prevent incorrect connection

## Key commercial data

<b>package_quantity</b>	50
<b>GTIN</b>	4017918127183

## Technical data

### General

<b>Note</b>	2 for every connector
-------------	-----------------------

### Ambient conditions

<b>Ambient temperature (operation)</b>	-40 °C ... 125 °C
<b>Ambient temperature (assembly)</b>	-40 °C ... 70 °C

### Material data

<b>Inflammability class according to UL 94</b>	V0
--	----

## classifications

### eCl@ss

<b>eCl@ss 4.0</b>	27140816
<b>eCl@ss 4.1</b>	27140816
<b>eCl@ss 5.0</b>	27371205
<b>eCl@ss 5.1</b>	27371205
<b>eCl@ss 6.0</b>	27371205
<b>eCl@ss 7.0</b>	27371205
<b>eCl@ss 8.0</b>	27371205

# Mounting flange - VC-AF - 1852862

## classifications

### ETIM

<b>ETIM 2.0</b>	EC000437
<b>ETIM 3.0</b>	EC000437
<b>ETIM 4.0</b>	EC000437
<b>ETIM 5.0</b>	EC002310

### UNSPSC

<b>UNSPSC 6.01</b>	31261501
<b>UNSPSC 7.0901</b>	31261501
<b>UNSPSC 11</b>	31261501
<b>UNSPSC 12.01</b>	31261501
<b>UNSPSC 13.2</b>	31261501

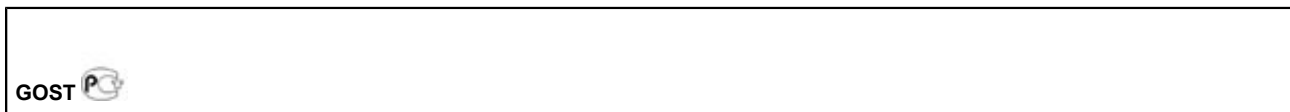
## approvals

---

GOST / GOST /

---

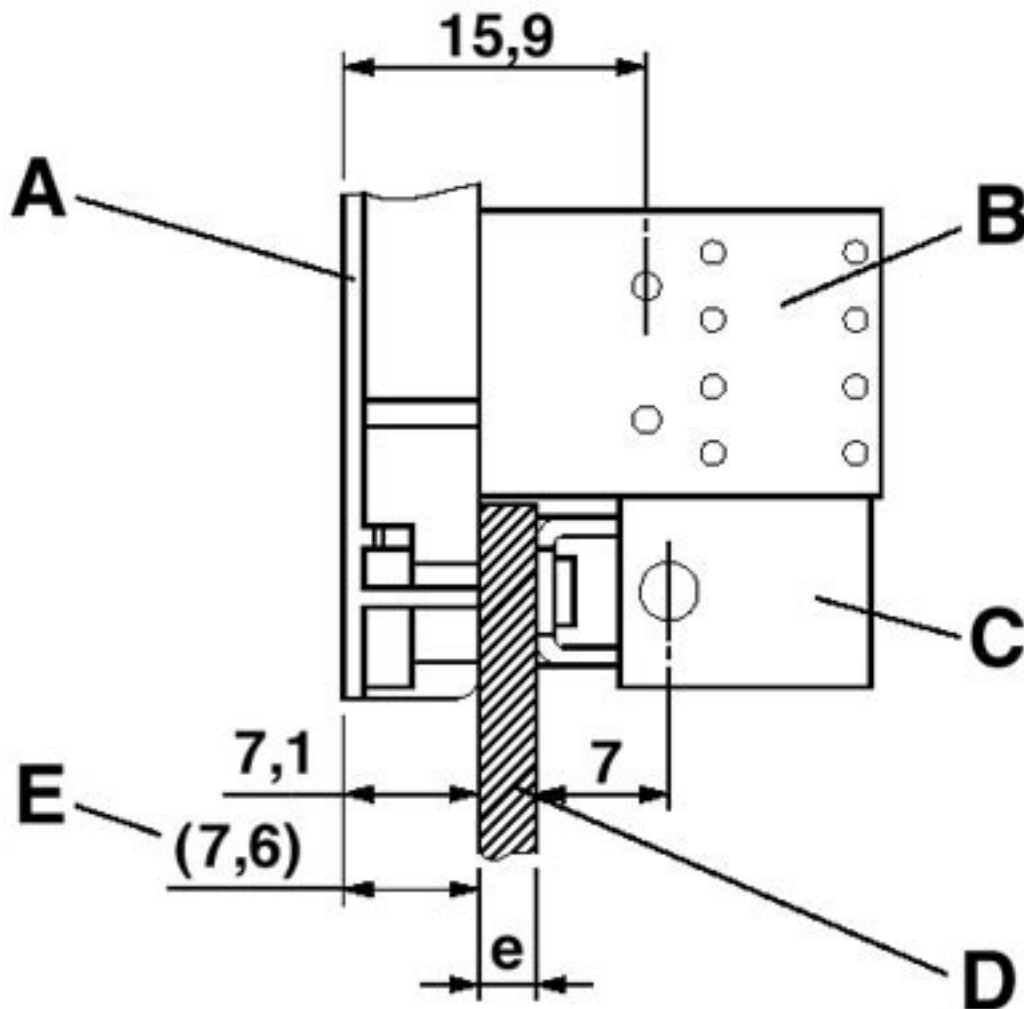
### Approval details



## Drawings

# Mounting flange - VC-AF - 1852862

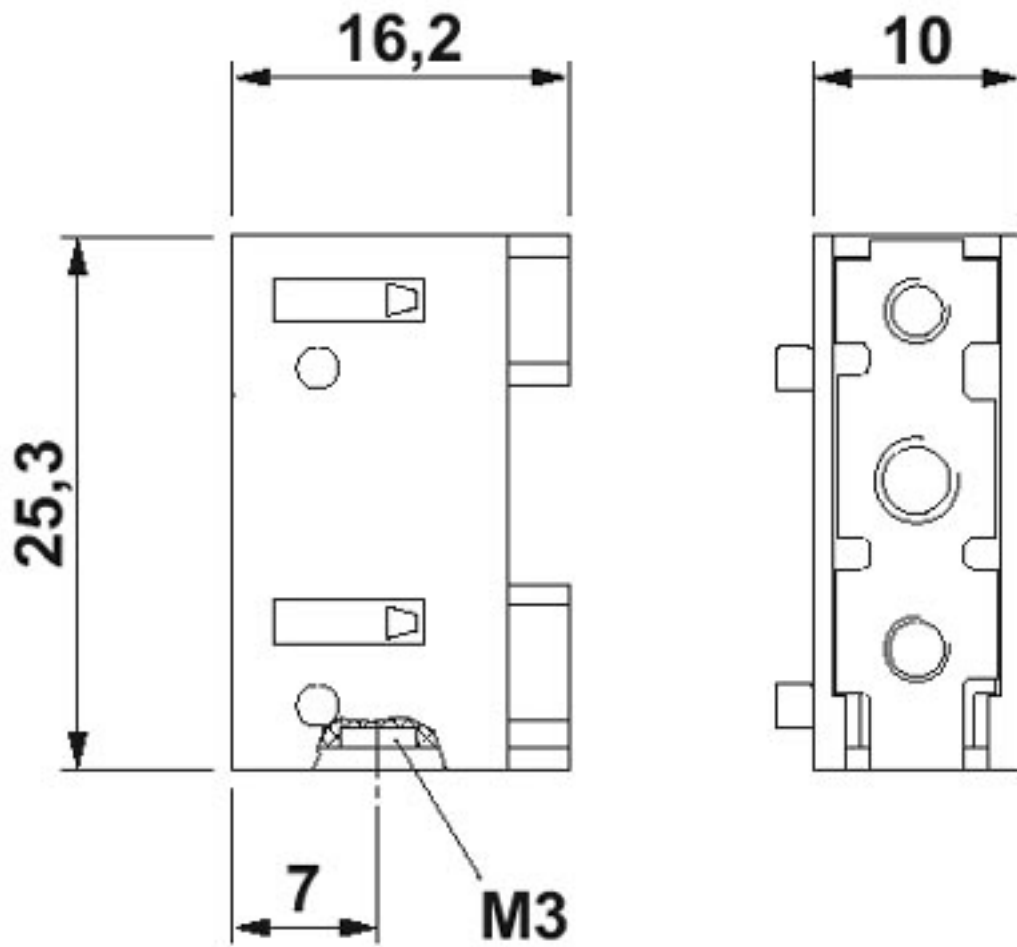
Dimensioned drawing



Installation, panel mounting flange  
A = Panel mounting base  
B = Solder-in contact insert  
C = Mounting flange  
D = Mounting panel  
e = 1...5 mm  
E = Dimensions with EMC shield adapter mounted

# Mounting flange - VC-AF - 1852862

Dimensioned drawing



© Phoenix Contact 2013 - all rights reserved  
<http://www.phoenixcontact.com>