

Flush-type connector - SACC-DSI-M12MS-4CON-M16 SH - 1419768

Please be informed that the data shown in this PDF Document is generated from our Online Catalog. Please find the complete data in the user's documentation. Our General Terms of Use for Downloads are valid (<http://download.phoenixcontact.com>)



Sensor/actuator flush-type plug, 4-pos., M12 SPEEDCON, A-coded, rear/screw mounting with M16 thread, with straight solder connection



Key commercial data

| | |
|------------------|---------------|
| package_quantity | 20 |
| GTIN | 4046356534086 |

Technical data

Dimensions

| | |
|--------------------------|------|
| Length of the solder pin | 6 mm |
|--------------------------|------|

Ambient conditions

| | |
|----------------------|------|
| Degree of protection | IP67 |
|----------------------|------|

General

| | |
|------------------------|---------------------------------------|
| Rated current at 40°C | 4 A |
| Rated voltage | 250 V |
| Number of positions | 4 |
| Contact resistance | ≤ 3 mΩ |
| Insulation resistance | ≥ 100 MΩ |
| Coding | A - standard |
| Standards/regulations | M12 connector IEC 61076-2-101 |
| Status display | No |
| Surge voltage category | II |
| Pollution degree | 3 |
| Connection method | Solder pins |
| Mounting type | Rear mounting M16 x 1.5 With flat nut |

Material

| | |
|---|------|
| Inflammability class according to UL 94 | V0 |
| Contact material | CuZn |
| Contact surface material | Au |

Flush-type connector - SACC-DSI-M12MS-4CON-M16 SH - 1419768

Technical data

Material

| | |
|--------------------------|------------------------------|
| Contact carrier material | PA 66 |
| Material, knurls | Zinc die-cast, nickel-plated |
| Sealing material | NBR |

classifications

eCl@ss

| | |
|------------|----------|
| eCl@ss 4.0 | 27140815 |
| eCl@ss 4.1 | 27140815 |
| eCl@ss 5.0 | 27143423 |
| eCl@ss 5.1 | 27143423 |
| eCl@ss 6.0 | 27279220 |
| eCl@ss 7.0 | 27440103 |
| eCl@ss 8.0 | 27440103 |

ETIM

| | |
|----------|----------|
| ETIM 2.0 | EC001297 |
| ETIM 3.0 | EC002061 |
| ETIM 4.0 | EC002061 |
| ETIM 5.0 | EC002061 |

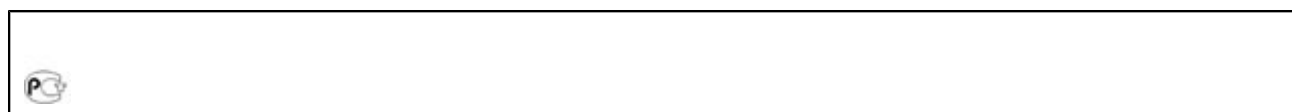
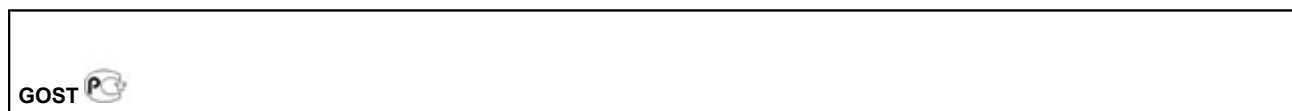
UNSPSC

| | |
|---------------|----------|
| UNSPSC 6.01 | 31251501 |
| UNSPSC 7.0901 | 31251501 |
| UNSPSC 11 | 31251501 |
| UNSPSC 12.01 | 31251501 |
| UNSPSC 13.2 | 39121413 |

approvals

GOST / GOST /

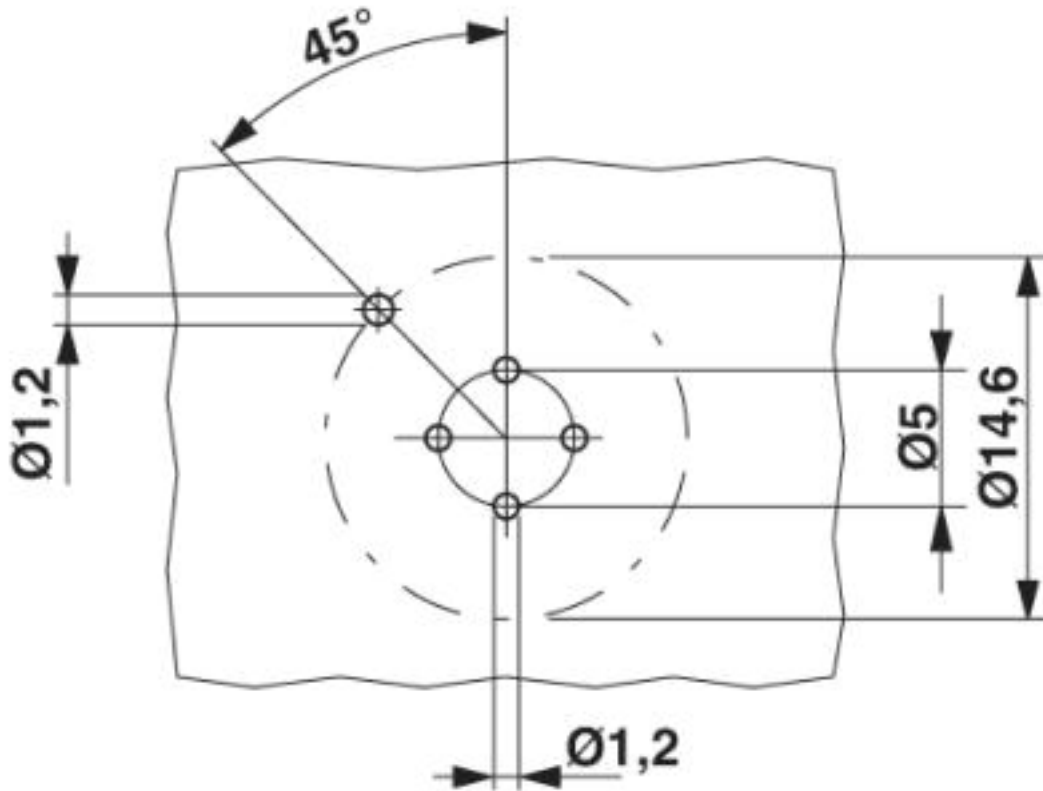
Approval details



Flush-type connector - SACC-DSI-M12MS-4CON-M16 SH - 1419768

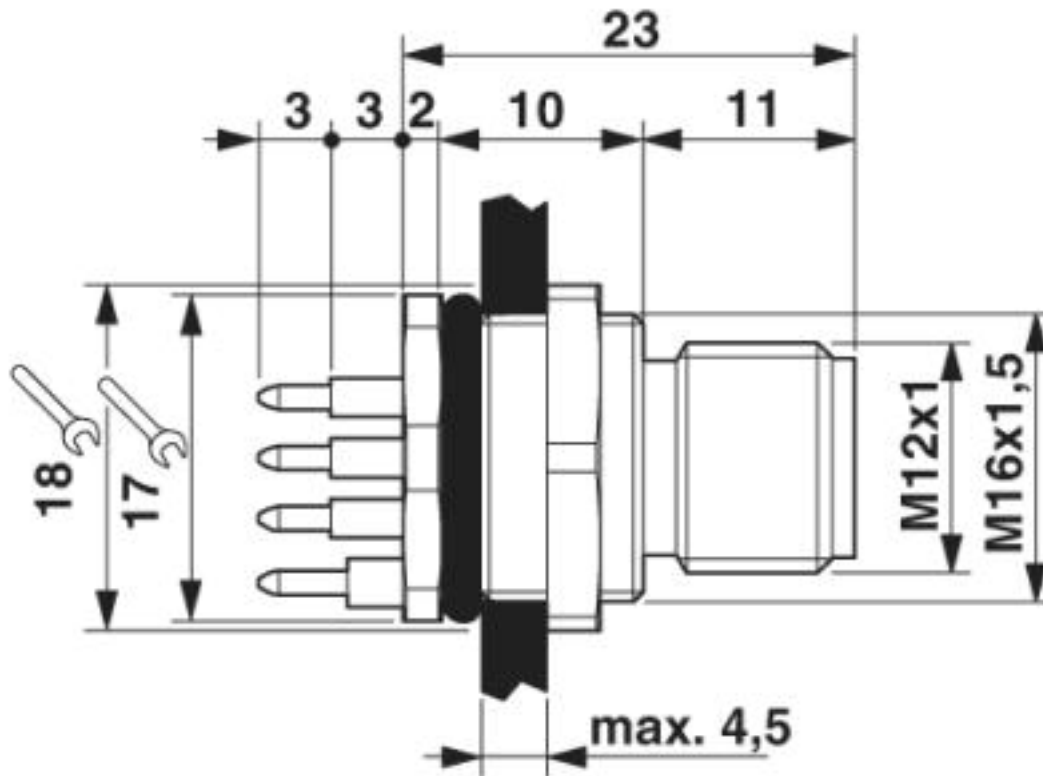
Drawings

Drilling diagram



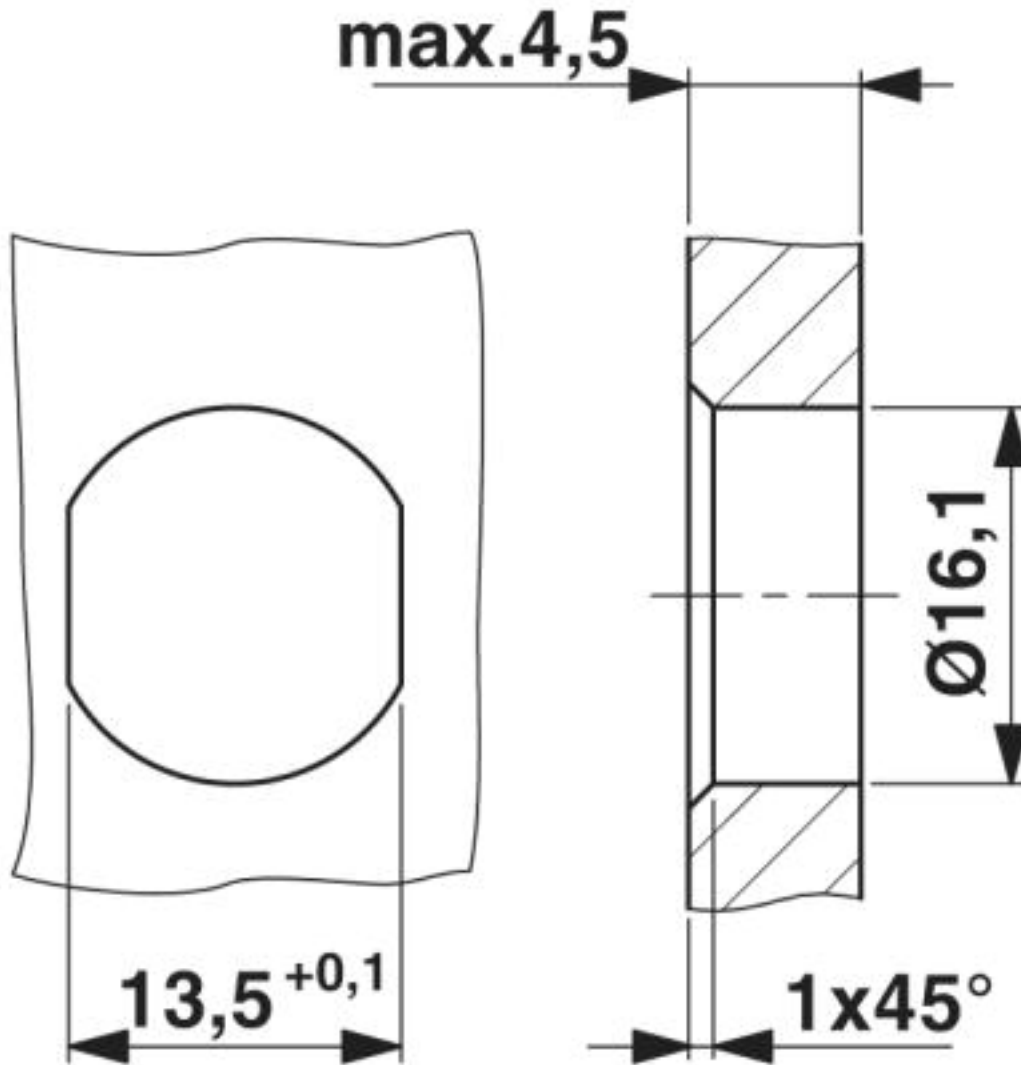
Flush-type connector - SACC-DSI-M12MS-4CON-M16 SH - 1419768

Dimensioned drawing



Flush-type connector - SACC-DSI-M12MS-4CON-M16 SH - 1419768

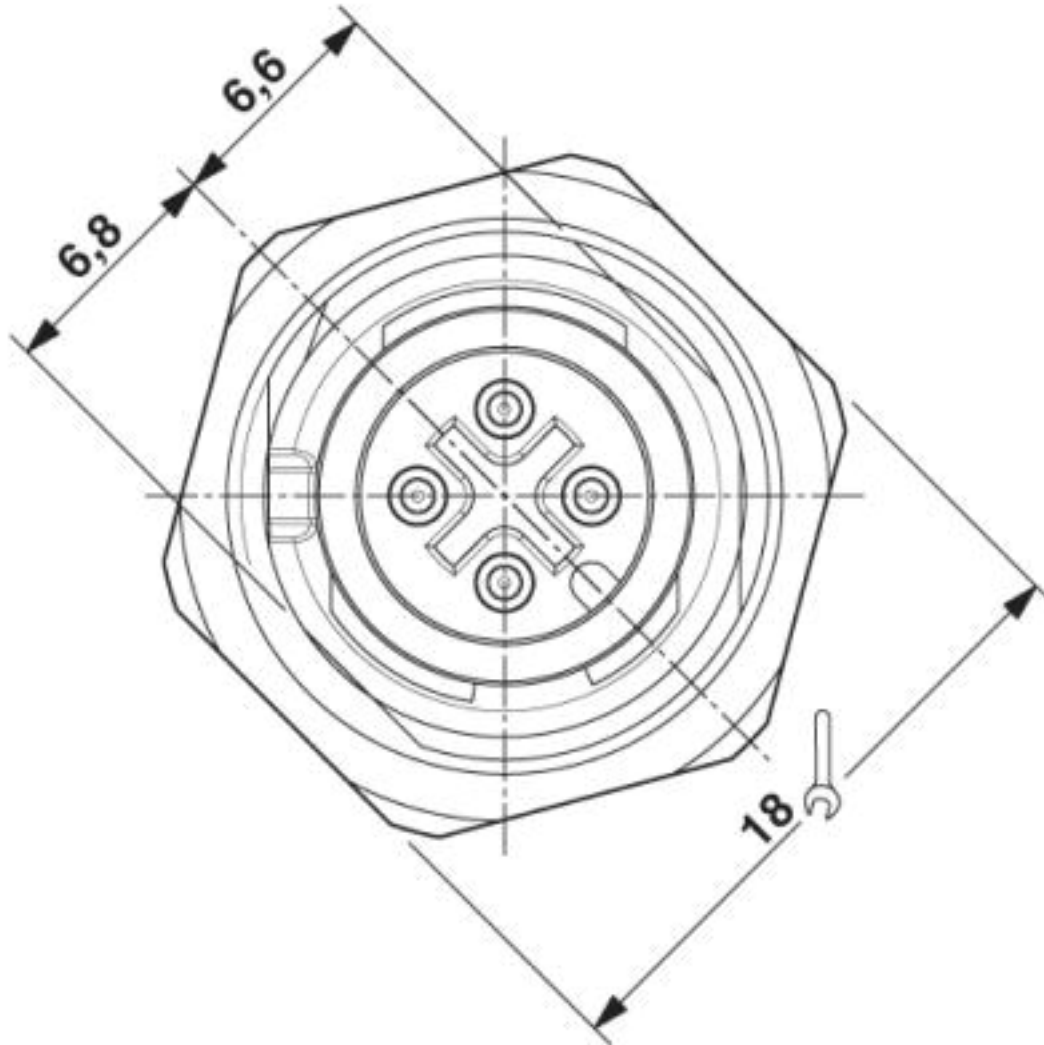
Dimensioned drawing



Housing cutout for M16 fastening thread, mounting panel with feed-through hole (alternatively with surface as protection against rotation)

Flush-type connector - SACC-DSI-M12MS-4CON-M16 SH - 1419768

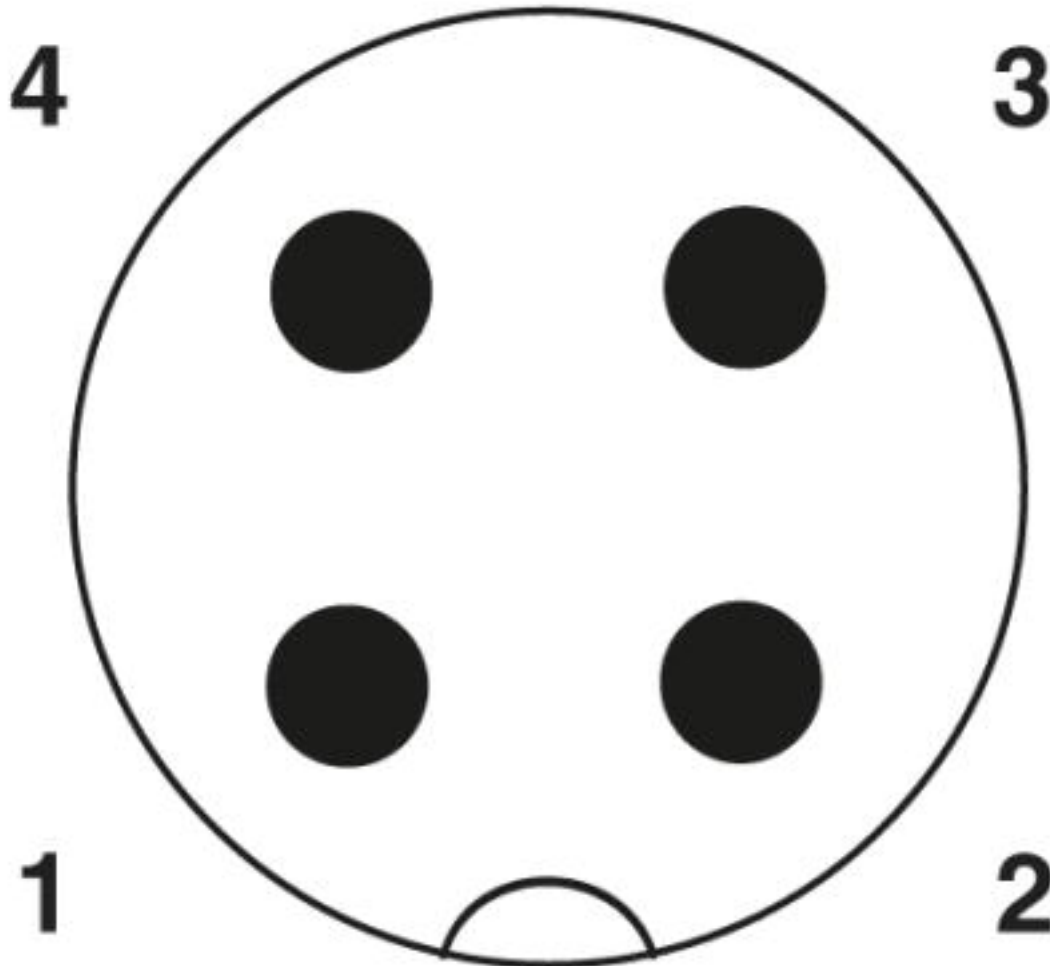
Dimensioned drawing



M12 front view

Flush-type connector - SACC-DSI-M12MS-4CON-M16 SH - 1419768

Schematic diagram



Pin assignment M12 plug, 4-pos., A-coded, view plug side

© Phoenix Contact 2013 - all rights reserved
<http://www.phoenixcontact.com>