

Datasheet

Item no.701934/ 701789/ 701802/ 701816/ 701829/ 701843

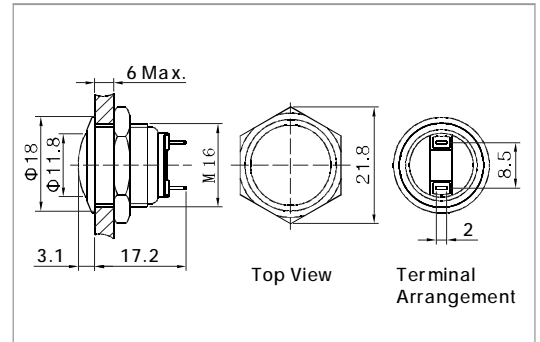
V1_0717_01_en

ANTI-VANDAL PUSHBUTTONS

PUSH BUTTON SWITCH



- ⊙ Φ 16mm diameter
- ⊙ 2A/48VDC
- ⊙ 1NO
- ⊙ Front Shape:Domed
- ⊙ crust material:Stainless Steel/
Brass(Nikel Plated,Gold Plated)
- ⊙ IP Degree:IP65



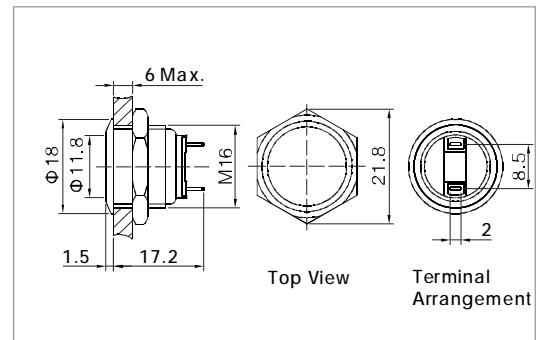
701934 : Vandal proof push button, Dia.16mm, 2A/48VDC,1NO, Momentary, Nickel-plated brass crust, Pin terminal Domed actuator

701789 : Vandal proof push button, Dia.16mm, 2A/48VDC,1NO, Momentary, Stainless Steel crust, Pin terminal Domed actuator

PUSH BUTTON SWITCH



- ⊙ Φ 16mm diameter
- ⊙ 2A/48VDC
- ⊙ 1NO
- ⊙ Front Shape:Flat Round
- ⊙ Crust material:Stainless Steel/
Brass(Nikel Plated,Gold Plated)
- ⊙ IP Degree:IP65



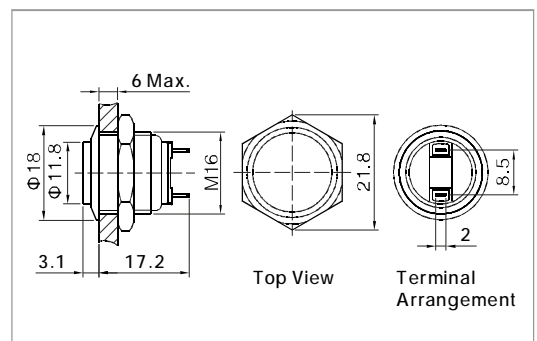
701802 : Vandal proof push button, dia.16mm, 2A/48VDC, 1NO, Momentary, Nickel-plated brass crust, Pin terminal, Flat actuator

701816 : Vandal proof push button, dia.16mm, 2A/48VDC, 1NO, Momentary, Stainless Steel crust, Pin terminal, Flat actuator

PUSH BUTTON SWITCH



- ⊙ Φ 16mm diameter
- ⊙ 2A/48VDC
- ⊙ 1NO
- ⊙ Front Shape:High Round
- ⊙ Crust material:Stainless Steel/
Brass(Nikel Plated,Gold Plated)
- ⊙ IP Degree:IP65



701829 : Vandal proof push button, dia.16mm, 2A/48VDC, 1NO, Momentary, Nickel-plated brass crust, Pin terminal, High actuator

701843 : Vandal proof push button, dia.16mm, 2A/48VDC, 1NO, Momentary, Stainless Steel crust, Pin terminal, High actuator

Datasheet

Item no.701934/ 701789/ 701802/ 701816/ 701829/ 701843

V1_0717_01_en

ANTI-VANDAL PUSHBUTTONS

Item no.	701934 701789	701802 701816	701829 701843
The Front Shape	Domed	Flat Round	High Round
Terminal Type	Pin Terminal(2×0.5mm)	Pin Terminal(2×0.5mm)	Pin Terminal(2×0.5mm)
Switching	No.1	No.1	No.1
Max.Switch Rating	2A/48VDC	2A/48VDC	2A/48VDC
Contact Resistance	≤50mΩ	≤50mΩ	≤50mΩ
Insulation Resistance	≥1000MΩ	≥1000MΩ	≥1000MΩ
Dielectric Strength	2000VAC	2000VAC	2000VAC
Operation Temp.	-20°C ~ +70°C	-20°C ~ +70°C	-20°C ~ +70°C
Mechanical Life	1,000,000cycles	1,000,000cycles	1,000,000cycles
Electrical Life	200,000cycles	200,000cycles	200,000cycles
Contact Material	Silver Alloy	Silver Alloy	Silver Alloy
Panel Thickness	1 ~ 6mm	1 ~ 6mm	1 ~ 6mm
Torque	5 ~ 14Nm	5 ~ 14Nm	5 ~ 14Nm
Operation Pressure	5.5N	5.5N	5.5N
IP Degree	IP65	IP65	IP65
Material	Button	Stainless Steel/Brass(Nikel Plated,Gold Plated)	Stainless Steel/Brass(Nikel Plated,Gold Plated)
	Body	Stainless Steel/Brass(Nikel Plated,Gold Plated)	Stainless Steel/Brass(Nikel Plated,Gold Plated)
	Base	PBT	PBT
RoHS	Yes	Yes	Yes

This is a publication by Conrad Electronic SE, Klaus-Conrad-Str. 1, D-92240 Hirschau (www.conrad.com).

All rights including translation reserved. Reproduction by any method, e.g. photocopy, microfilming, or the capture in electronic data processing systems require the prior written approval by the editor. Reprinting, also in part, is prohibited. This publication represents the technical status at the time of printing.

© Copyright 2017 by Conrad Electronic SE.