

Date: 04.03.2008

## KEF

### General Data

|                               |  |
|-------------------------------|--|
| Type reference:               | KEF  |
| Description:                  | Pedal switch in an aluminium casing, equipped with the contact block type ET |
| Approvals:                    | CE, CSA, GOST-R, UL  |
| Nature of contact:            | 1NC/1NO  |
| Protection class:             | II (protective insulation)   |
| Operation travel:             | 6 mm   |
| Connection type:              | screw connection 2x2.5mm <sup>2</sup> , finger-protected acc. to VBG4        |
| Contact material:             | AgNi   |
| Max. storage temperature:     | -50°C ... 70°C   |
| Max. operating temperature:   | -30°C ... 70°C   |
| Mechanical life:              | 1m operations  |
| Electrical life (rated load): | 1m operations at rated load  |
| Contact resistance NO:        | < 20 mOhm (new state)  |
| Contact resistance NC:        | < 20 mOhm (new state)  |
| Bouncing time NO:             | < 10ms   |
| Bouncing time NC:             | < 10ms   |
| Positive opening contact:     | acc. to EN60947-5-1, appendix. K   |

### Electrical data acc. to IEC/EN 60947-5-1 (VDE 0660 Sect. 200)

|  | alternate current | direct current                 |
|--|-------------------|--------------------------------|
| Utilisation category:                      | AC15              | DC13                           |
| Rated insulation voltage U <sub>i</sub> :  | 400V              | 400V                           |
| Rated operational voltage U <sub>e</sub> : | 400V / 250V       | 400V / 250V / 125V / 60V / 24V |
| Rated operational current I <sub>e</sub> : | 3 A / 5A          | 0.12A / 0.2A / 0.4A / 1A / 2A  |
| Breaking capacity:                         | 10I <sub>e</sub>  | 1.1I <sub>e</sub>              |
| Continuous thermal current:                | 10A               | 10A                            |

### Electrical data acc. to IEC/EN 61058-1 (VDE 0630 Sect. 1)

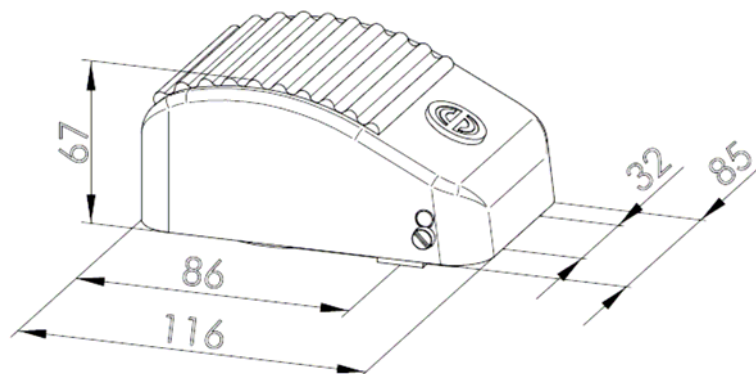
|                                |                  |
|--------------------------------|------------------|
| Rated voltage U <sub>e</sub> : | 250 V~ / 440 V~  |
| Rated current I <sub>e</sub> : | 10(6) A / 6(3) A |

### Additional Data

|                                       |      |
|---------------------------------------|------|
| Degree of protection (complete type): | IP65 |
| Cable entry:                          | PG11 |

### Electrical Data acc. to UL 508

|          |               |
|----------|---------------|
| Ratings: | A600, 600V AC |
|----------|---------------|



- subject to alterations -