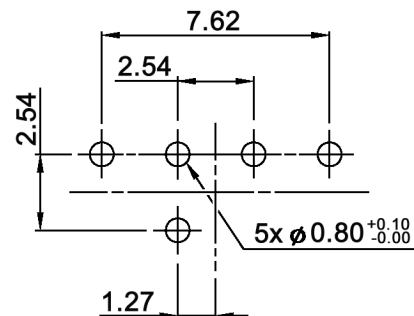


P.C.B. LAYOUT



TYPE	CIRCUIT CHARACTERISTIC										
	CODE	POSITION									● ON
		0	1	2	3	4	5	6	7	8	
DRR 3010	1	●		●		●		●		●	
	2		●	●		●	●		●		
	4				●	●	●	●			
	8									●	●



Tolerances: ±0.20mm max.	Date	Name
	12/07	dr
Specifications	02/09	dr
Dimensions	02/09	dr
Operating temperature	04/08	dr
Modifications	Date	Name

**DRR 3010**

**knitter-switch**

**30 13 12**

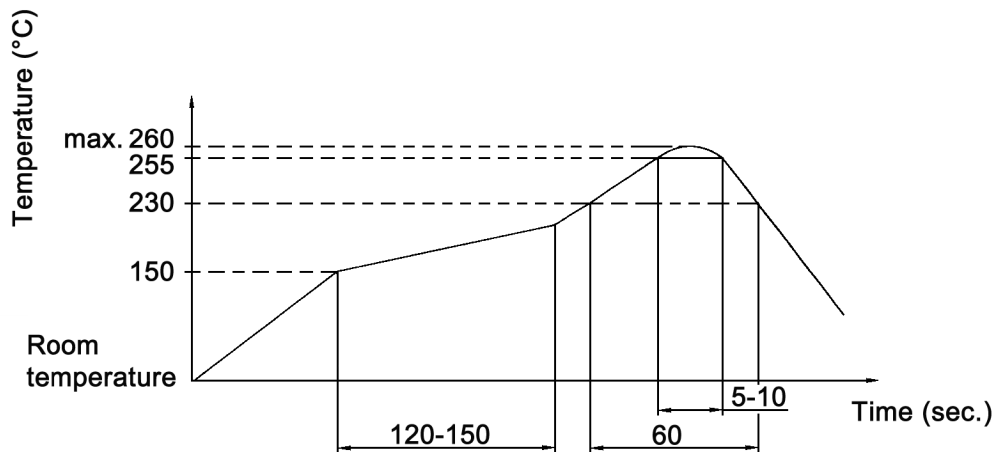
Page

1/2

**Specifications:**

**Contact rating:** non-switching: 100mA, 50V DC  
switching: 30mA, 15V DC  
**Contact resistance:** 100mOhm max.  
**Insulation resistance:** 1 000MOhm min. at 250V DC  
**Dielectric strength:** 250V AC for 1 minute  
**Operating temperature:** -40°C to +85°C  
**Mechanical life:** 20 000 cycles min.  
**Operating force:** 250 gf.cm max.  
**Material:** Base / cover: high-temp. thermoplastic nylon UL94V-0,  
molded black  
Movable contact: alloy copper, gold plated  
Actuator: high-temp. thermoplastic nylon UL94V-0,  
color: yellow  
O-ring: silicone  
Spring: stainless steel  
Terminal: brass, gold plated

**Soldering conditions:** wave soldering: 260°C, 5sec. max.  
through hole reflow: 260 +/-5°C, 4-6sec.



Tolerances: ±0.20mm max.			Date	Name	<b>DRR 3010</b>
			02/09	dr	
			<b>knitter-switch</b>		<b>30 13 12</b>
Modifications			Date	Name	Page 2/2