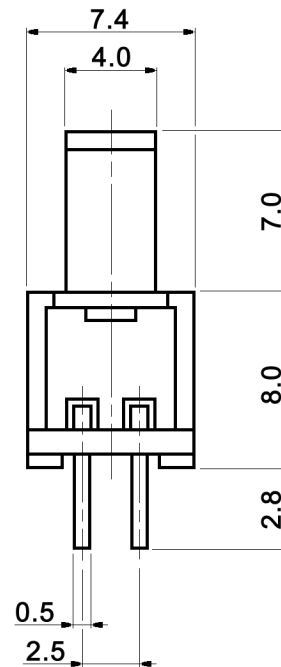
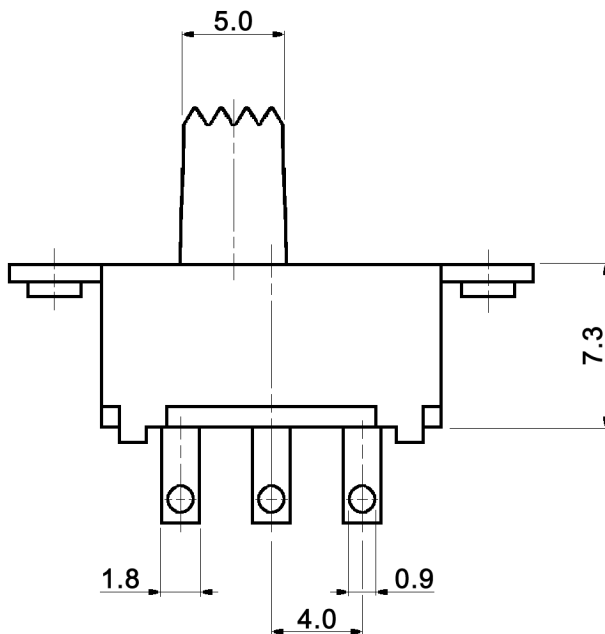
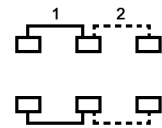


SCHEMATIC



Specifications:

Contact rating: 350mA, 30V DC
 Contact resistance: 20mOhm max.
 Insulation resistance: 100MOhm min. at 500V DC
 Dielectric strength: 500V, 50Hz for the duration of 1 minute
 Operating temperature: -20°C to +85°C
 Mechanical life: min. 10 000 cycles
 Soldering conditions: hand-soldering: max.: 270°C, 5sec.
 Switching function: on - on
 Timing: non-shorting
 Material: Contacts: copper alloy, silver plated over nickel barrier

x	Button color
SW	black
RT	red



Tolerances:	Date	Name
		08/09
Modifications	Date	Name

MFS 201 N x

30 18 96

Page

1/1

knitter-switch