

DATA SHEET

Model No.
DS-408 Push Button Switch
Button: Red, Black White,
Yellow & Blue

Specifications :

Rating : 3A.125V. AC
 Circuit : OFF-ON SPST (Alternate)
 Contact Resistance : 20mΩ or less
 Insulation Resistance : DC500V Megger
 100MΩ or more
 Voltage Breakdown : AC1000V (1 minute)

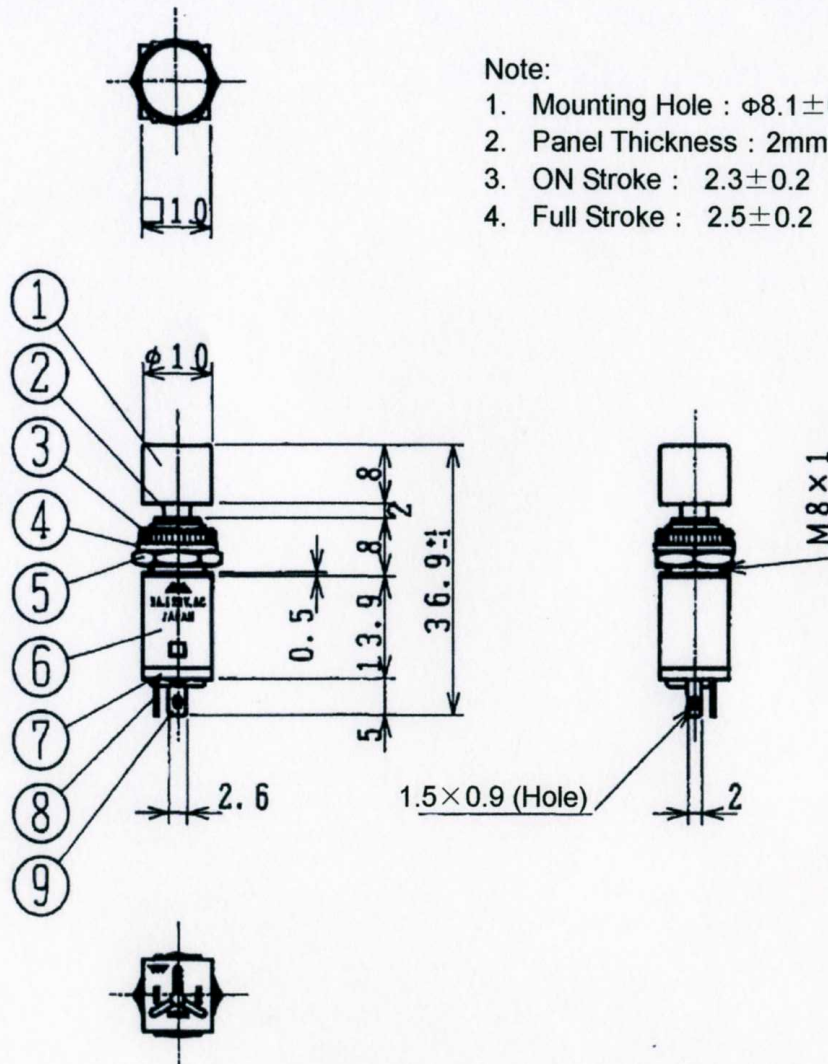
Construction :

	Materials	Finish
① Button	PA	Each Color
② Shaft	POM	
③ Knurled Nut	C3604BDS	Ep-Cu/Ni
④ Spring Washer	SWRH	Ep-Fe/Ni
⑤ Hex. Nut	C-3604	Ep-Cu/Ni
⑥ Body	PC	Black
⑦ Base	PF	Black
⑧ Terminal (A)	C1100R	Ep-Cu/Ag
⑨ Terminal (B)	C2680R	Ep-Cu/Ag

Unit : mm

Note:

1. Mounting Hole : $\phi 8.1 \pm 0.1$
2. Panel Thickness : 2mm or less
3. ON Stroke : 2.3 ± 0.2
4. Full Stroke : 2.5 ± 0.2



MIYAMA ELECTRIC CO., LTD. TOKYO JAPAN