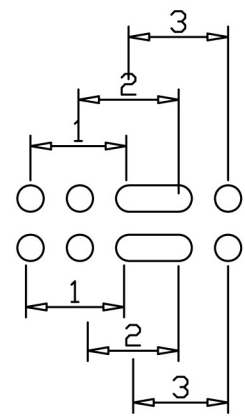
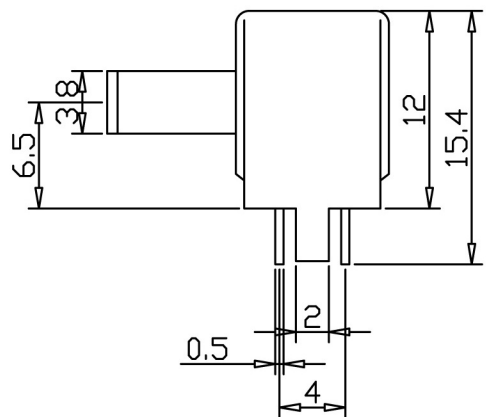
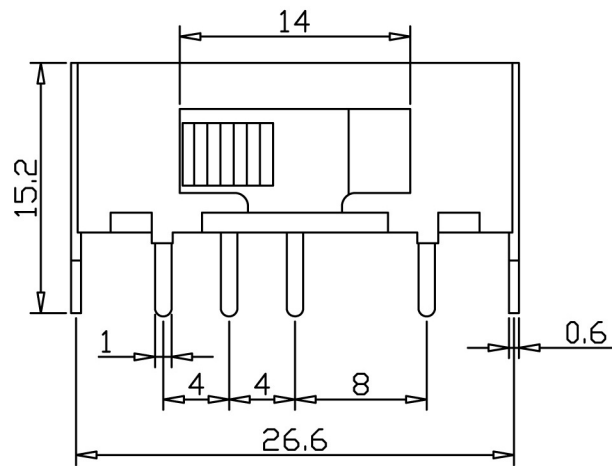
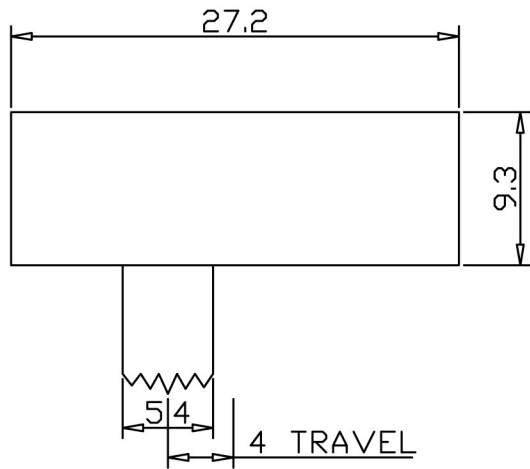
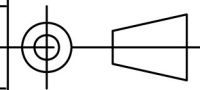


ROHS
2002/95/EC



TITLE: HORIZONTAL SLIDE SWITCH
 MODEL NO: SK-23H01
 FILE NAME: SK-23H01
 DRAWN BY: S.Y.W DATE: 1-4-9
 APPROVED BY: DATE:



PLASTIC TOL: ±0.20
 METAL TOL: ±0.10
 UNIT: mm
 SCALE: 2 : 1

G					
H					
G	STEEL BALL	STAINLESS STEEL	2	NATURAL	
F	CONTACT (CLIP)	P.B.S STRIP	2	AG PLATED	
E	SPRING	STEEL STRIP	1	NI PLATED OR NATURAL	
D	TERMAINAL	BRASS STRIP	10	AG PLATED	
C	TERMAINAL BASE	PHENOL IC RESIN	1	NATURAL	
B	FRAME	STEEL STRIP	1	NI PLATED	
A	KNOB	POM	1	BLACK	
ITEM	PART	MATERIAL	QTY	REMARKS	