

LSM-S30M/K (Artikel-Nr. 710205)

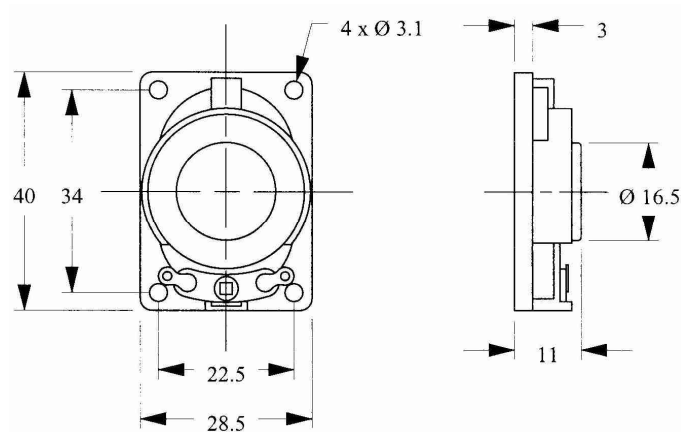
EKULIT

SPECIFICATIONS:

TYPE	UNIT	LSM-S30M/K
Impedance	Ω	$8 \pm 15\%$
Power (Nominal)	W	1.0
Power (Maximum)	W	2.0
Resonant Frequency	Hz	$450 \pm 20\%$
Sound Pressure Level	dB	84 ± 3
Frequency Range	Hz	Fo~20.000
Operating Temperature	$^{\circ}\text{C}$	-20~+60
Storage Temperature	$^{\circ}\text{C}$	-30~+70

DIMENSIONS :

(Unit: mm)



Frequency response:

