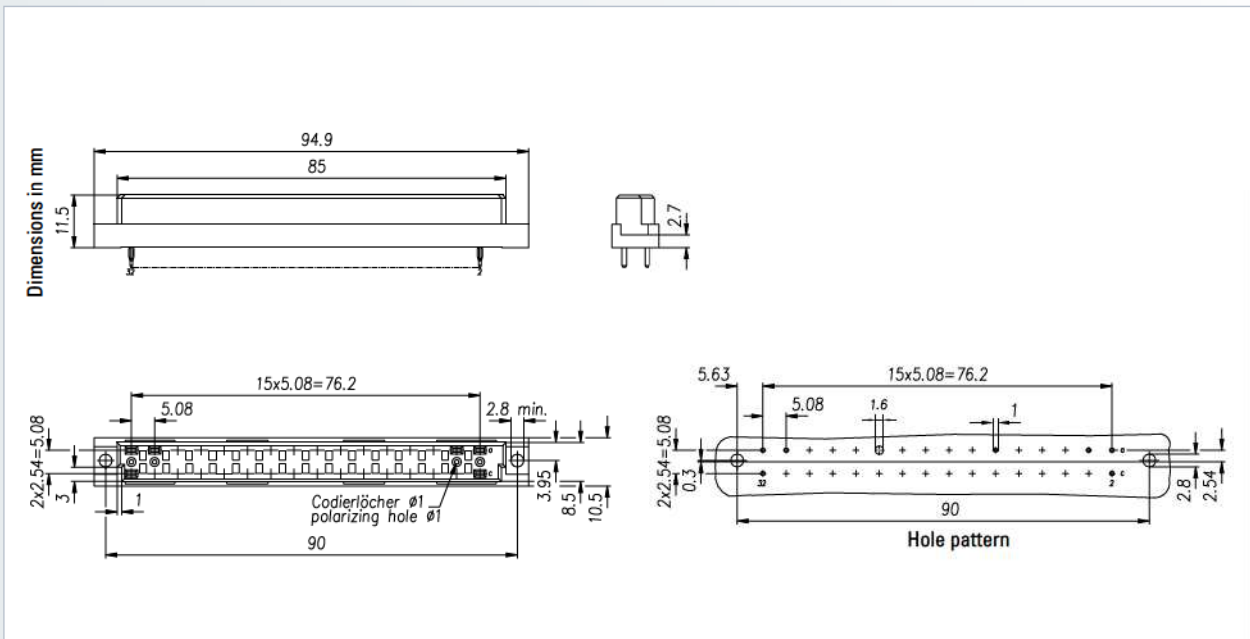
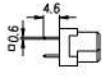
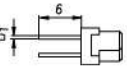
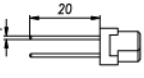
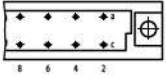


Connectors according to DIN 41612 / IEC 60603-2

Type D

Female connector



No. of contacts	Contact arrangement	Press-fit technology – Performance level II		
		Termination length		
				
		Part number		
32		106-60084	106-60064	106-60065

Accessories

- Press-fit tool (see page 208)
- Support tool (see page 209)
- Coding accessories (see page 160)

On request

- Performance levels I + III or customer-specific
- Special contact length

Options

- Without flange
- Contact arrangement (see page 162)