

Panel feed-through - SACC-DSI-M12MS-8CON-M16 SH - 1441927

Please be informed that the data shown in this PDF Document is generated from our Online Catalog. Please find the complete data in the user's documentation. Our General Terms of Use for Downloads are valid (<http://download.phoenixcontact.com>)



Sensor/actuator flush-type plug, 8-pos. with shield contact, M12 SPEEDCON, rear/screw mounting with M16 thread, with straight solder connection



Key commercial data

package_quantity	20
GTIN	4046356534147

Technical data

Dimensions

Length of the solder pin	6 mm
--------------------------	------

Ambient conditions

Ambient temperature (operation)	-25 °C ... 85 °C (Plug / socket)
Degree of protection	IP67

General

Rated current at 40°C	2 A
Rated voltage	30 V
Number of positions	8
Contact resistance	≤ 3 mΩ
Insulation resistance	≥ 100 MΩ
Coding	A - standard
Standards/regulations	M12 connector IEC 61076-2-101
Status display	No
Surge voltage category	II
Pollution degree	3
Connection method	Solder pins
Mounting type	Rear mounting M16 x 1.5 With flat nut

Material

Inflammability class according to UL 94	V0
Contact material	CuZn
Contact surface material	Au

Panel feed-through - SACC-DSI-M12MS-8CON-M16 SH - 1441927

Technical data

Material

Contact carrier material	PA 66
Material, knurls	Zinc die-cast, nickel-plated
Sealing material	NBR

classifications

eCl@ss

eCl@ss 4.0	27140815
eCl@ss 4.1	27140815
eCl@ss 5.0	27143423
eCl@ss 5.1	27143423
eCl@ss 6.0	27279220
eCl@ss 7.0	27440103
eCl@ss 8.0	27440103

ETIM

ETIM 2.0	EC001297
ETIM 3.0	EC002061
ETIM 4.0	EC002061
ETIM 5.0	EC002061

UNSPSC

UNSPSC 6.01	31251501
UNSPSC 7.0901	31251501
UNSPSC 11	31251501
UNSPSC 12.01	31251501
UNSPSC 13.2	39121413

approvals

GOST / GOST /

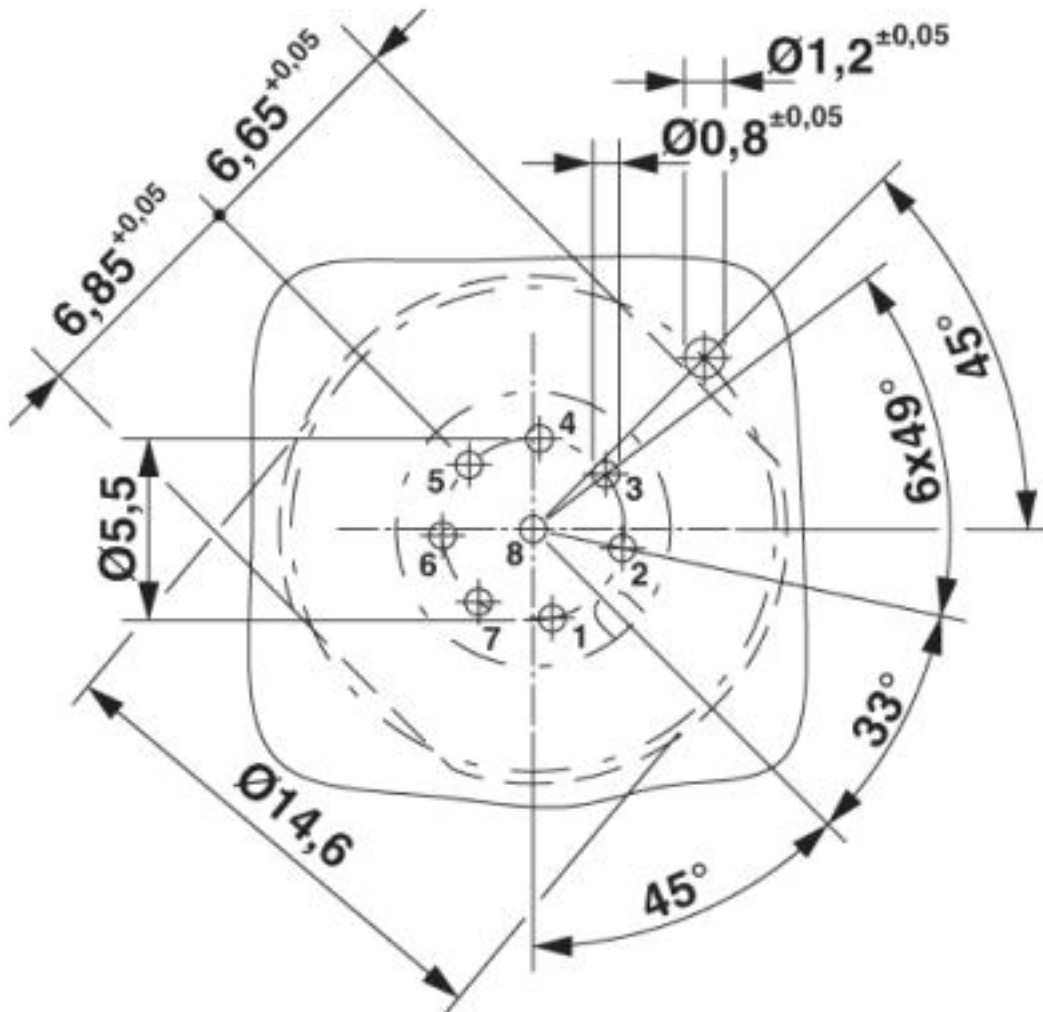
Approval details



Drawings

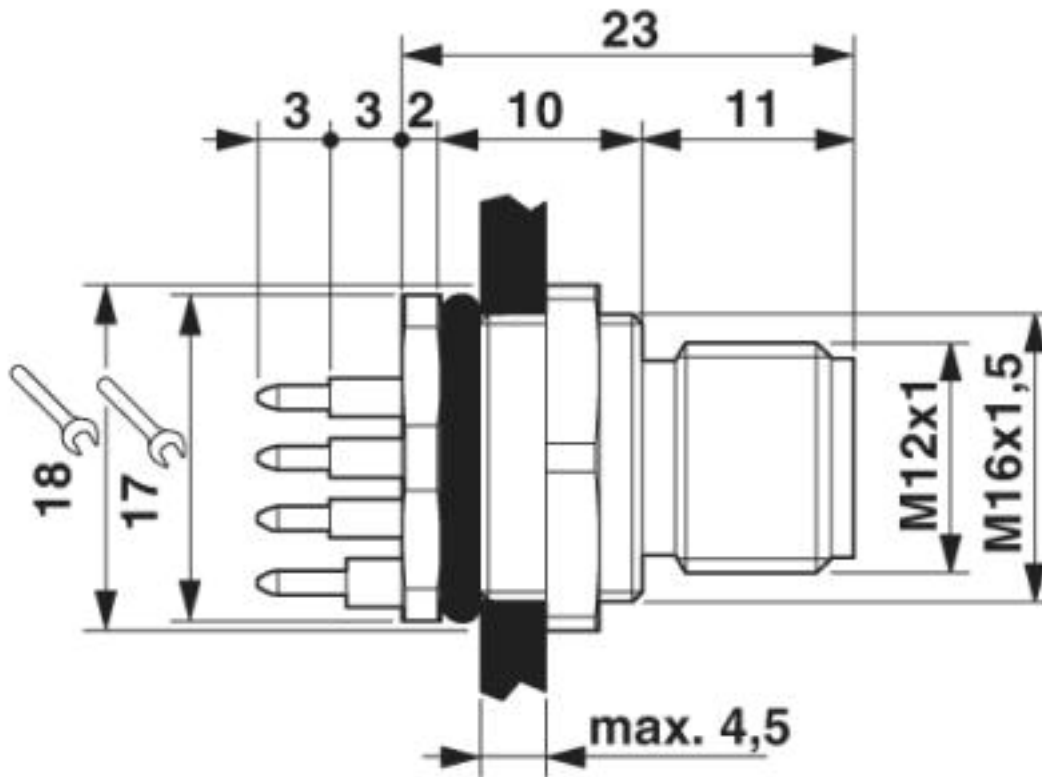
Panel feed-through - SACC-DSI-M12MS-8CON-M16 SH - 1441927

Drilling diagram



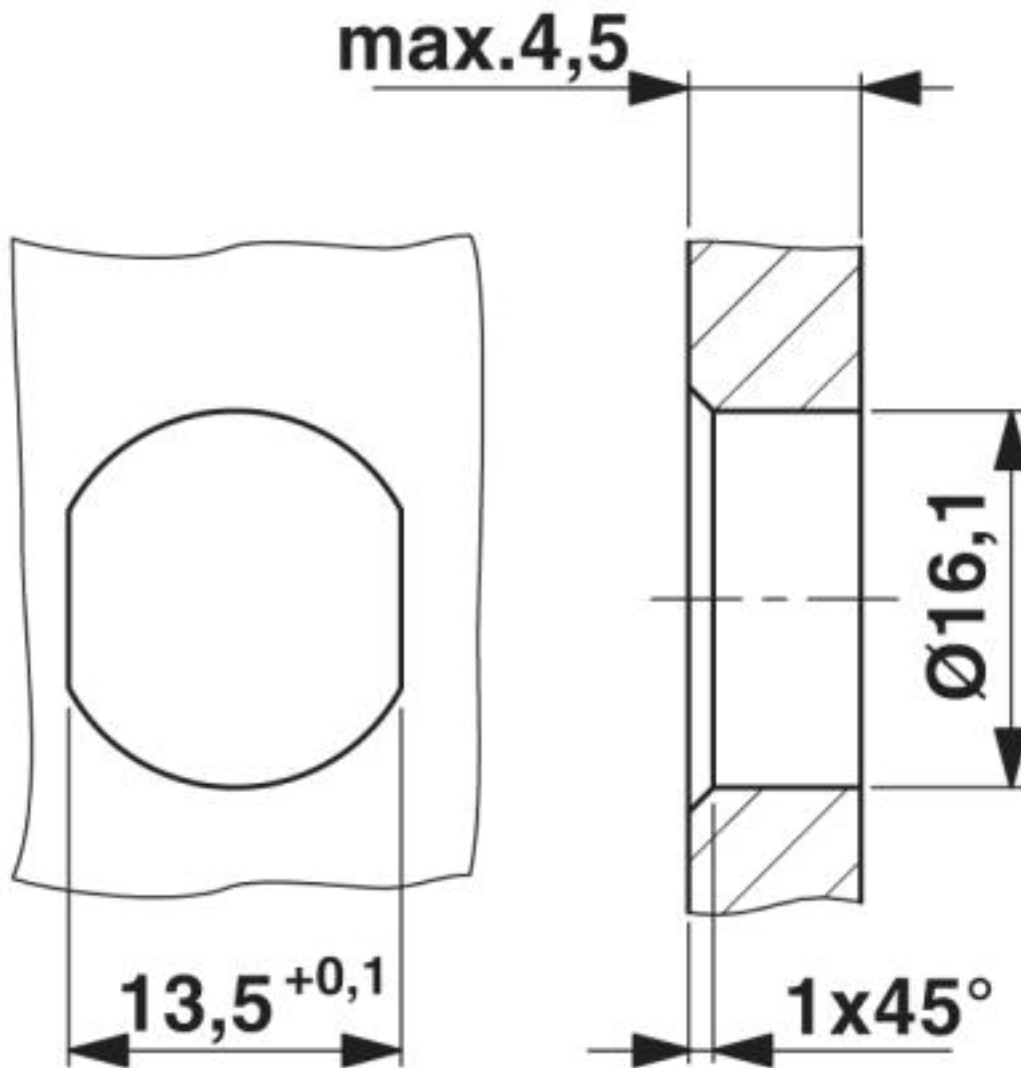
Panel feed-through - SACC-DSI-M12MS-8CON-M16 SH - 1441927

Dimensioned drawing



Panel feed-through - SACC-DSI-M12MS-8CON-M16 SH - 1441927

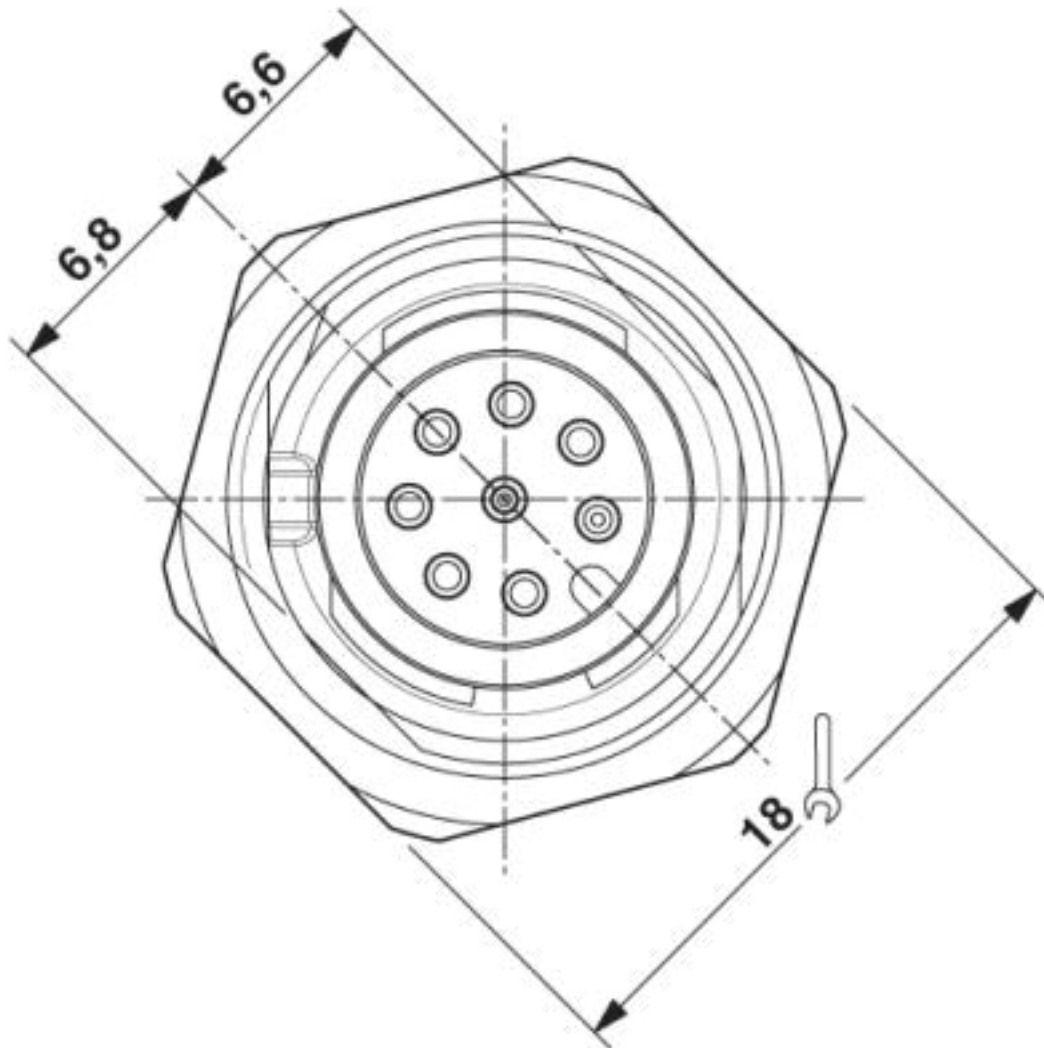
Dimensioned drawing



Housing cutout for M16 fastening thread, mounting panel with feed-through hole (alternatively with surface as protection against rotation)

Panel feed-through - SACC-DSI-M12MS-8CON-M16 SH - 1441927

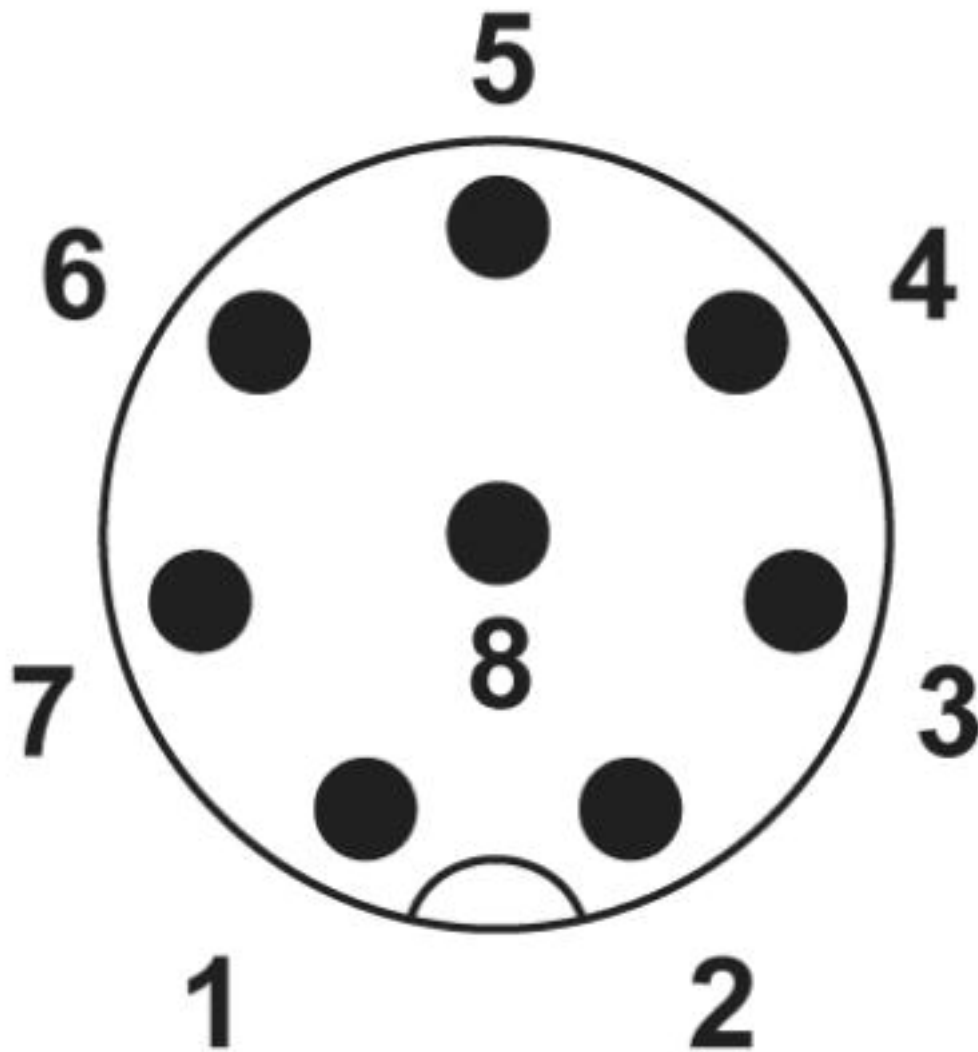
Dimensioned drawing



M12 front view

Panel feed-through - SACC-DSI-M12MS-8CON-M16 SH - 1441927

Schematic diagram



Pin assignment M12 plug, 8-pos., view plug side

© Phoenix Contact 2013 - all rights reserved
<http://www.phoenixcontact.com>