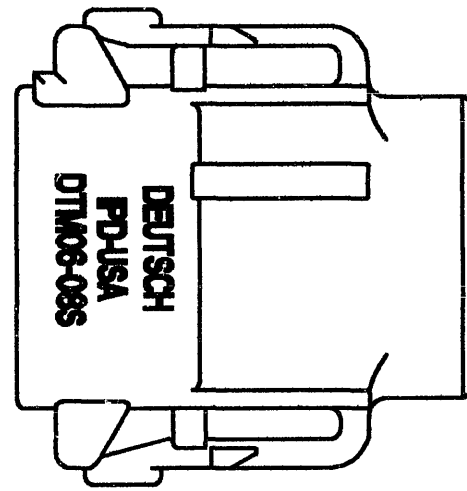
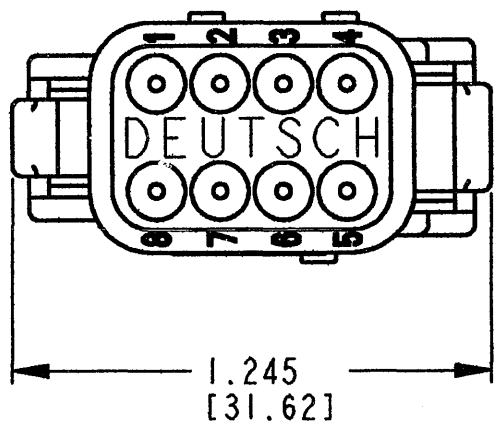
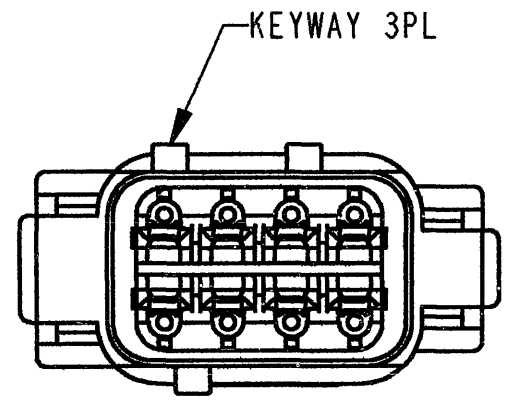
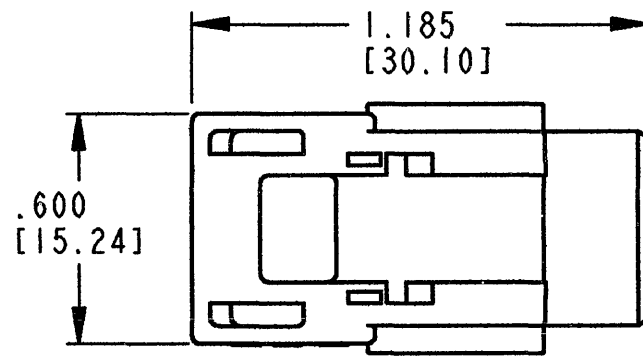
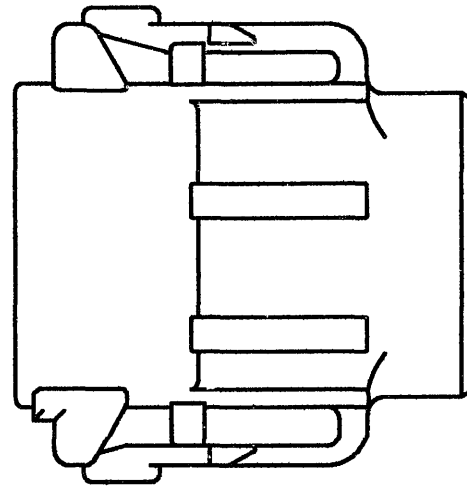
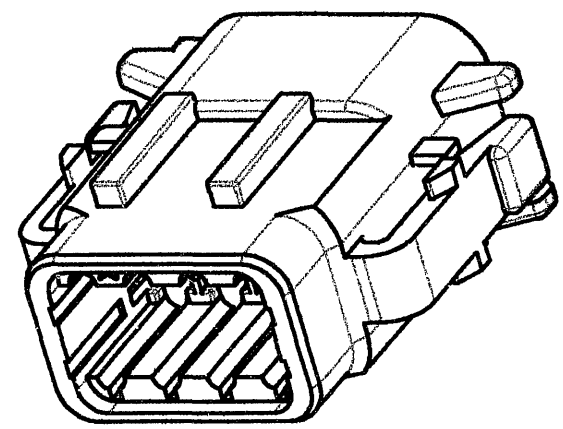


REV  
NC **DTM06-08S\***

REVISIONS			
SYM	DESCRIPTION	DATE	APPROVED
NC	NEW RELEASE PER E.O. P17238	4-19-01	RDR



CONTACT SIZE	MIN. INSUL. O.D.	MAX. INSUL. O.D.	WIRE RANGE [mm <sup>2</sup> ] REF ONLY
20	.053 [1.35]	.120 [3.05]	16-22 AWG [1.0-0.5]


- 7. SEE SHEET 2 FOR OTHER KEY ARRANGEMENTS.
- 6. MATERIAL - HOUSING: PLASTIC; GROMMET: RUBBER.
- 5. THIS PLUG MATES WITH DTM04-08P\*-\*\*\*\* RECEPTACLE. (\* = A,B,C,D KEYS; \*\*\*\* = ALL MODIFICATIONS)
- 4. FOR CONTACT AND WIRE PERFORMANCE AND APPLICATION CHARACTERISTICS SEE ENVELOPE DRAWING 0425-015-0000.
- 3. SECONDARY WEDGE LOCK SOLD SEPARATELY: WM-8S.
- 2. DIMENSION TOLERANCE: ±.025 [ .64].
- 1. DIMENSIONS ARE IN INCHES [mm].

NOTES: UNLESS OTHERWISE SPECIFIED

SIGNATURE & DATE	
DR	J. APOSTOL 16 APR 2001
CHK	R. Meyer 4/18/01
PE	D. Meyer 4/17/01
APPD	R. Reed 4-19-01
SCALE	NONE WT

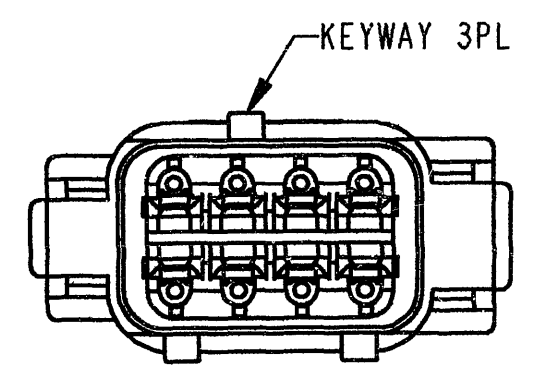
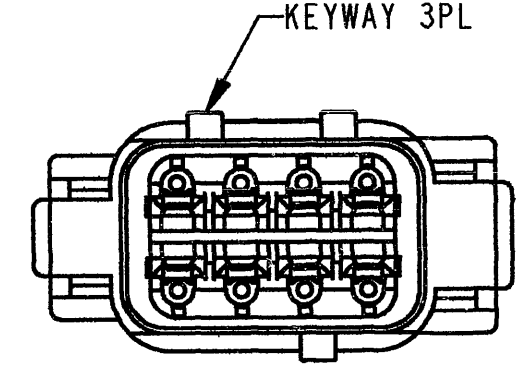
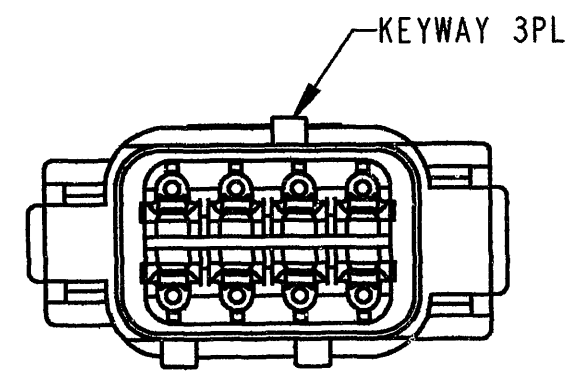
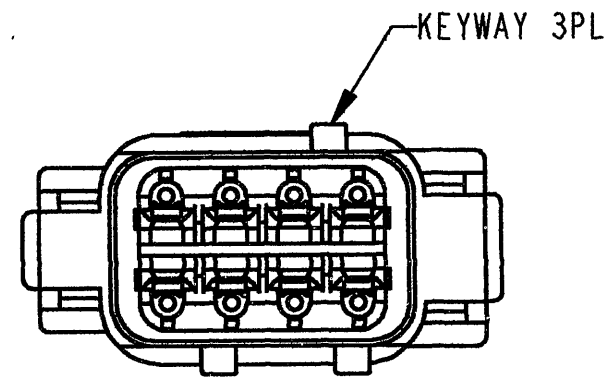
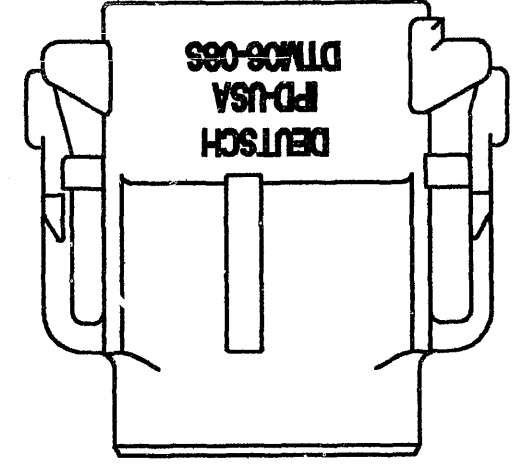
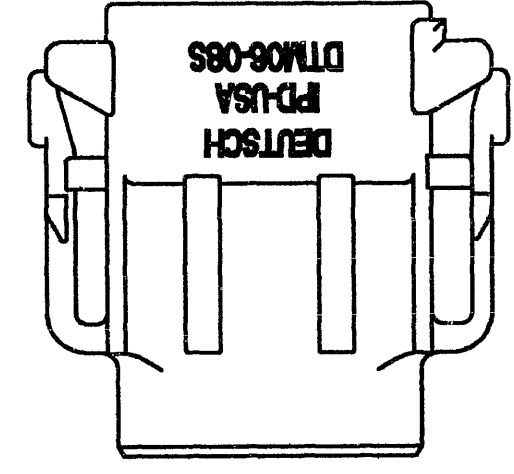
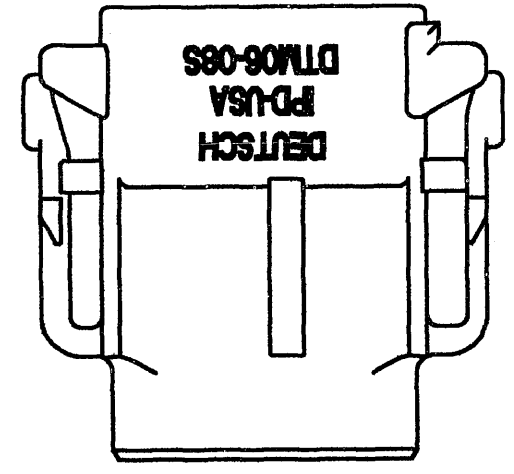
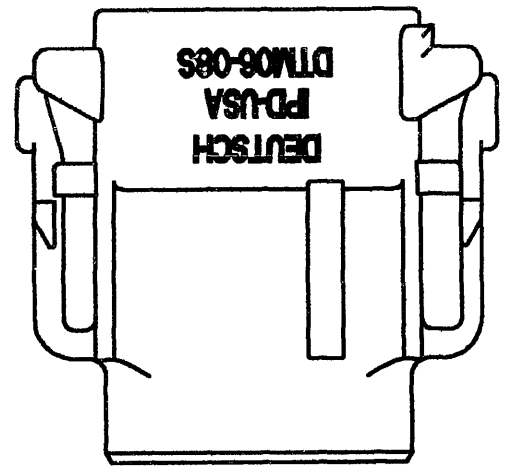
PLUG  
8 CONTACTS, SIZE 20  
A, B, C, D KEYS  
DTM SERIES

ENVELOPE

CP	MATL. CODE
<b>The Deutsch Company</b>  DEUTSCH I.P.D. 3850 INDUSTRIAL AVE. HEMET, CALIF. 92545	
<b>B</b>	<b>DTM06-08S*</b>
DWG SIZE	CODE 11139 SHEET 1 OF 2

REV NC DTM06-08S\*

REVISIONS			
SYM	DESCRIPTION	DATE	APPROVED
	SEE SHEET ONE	4-19-01	KDR



DTM06-08SA  
KEY -A-  
COLOR: GREY

DTM06-08SB  
KEY -B-  
COLOR: BLACK

DTM06-08SC  
KEY -C-  
COLOR: GREEN


DTM06-08SD  
KEY -D-  
COLOR: BROWN

NOTES:

SIGNATURE & DATE	
DR	J. APOSTOL 16 APR 2001
CHK	<i>R. Meyer</i> 4/18/01
PE	<i>D. Meyer</i> 4/17/01
APPD	<i>K. Reed</i> 4-19-01
SCALE	NONE WT _____

PLUG  
8 CONTACTS, SIZE 20  
A, B, C, D KEYS  
DTM SERIES

ENVELOPE

CP	MATL. CODE
<b>The Deutch Company</b>  DEUTSCH I.P.D. 3850 INDUSTRIAL AVE. HEMET, CALIF. 92545	
<b>B</b>	<b>DTM06-08S*</b>
DWG SIZE	CODE 11139 SHEET 2 OF 2