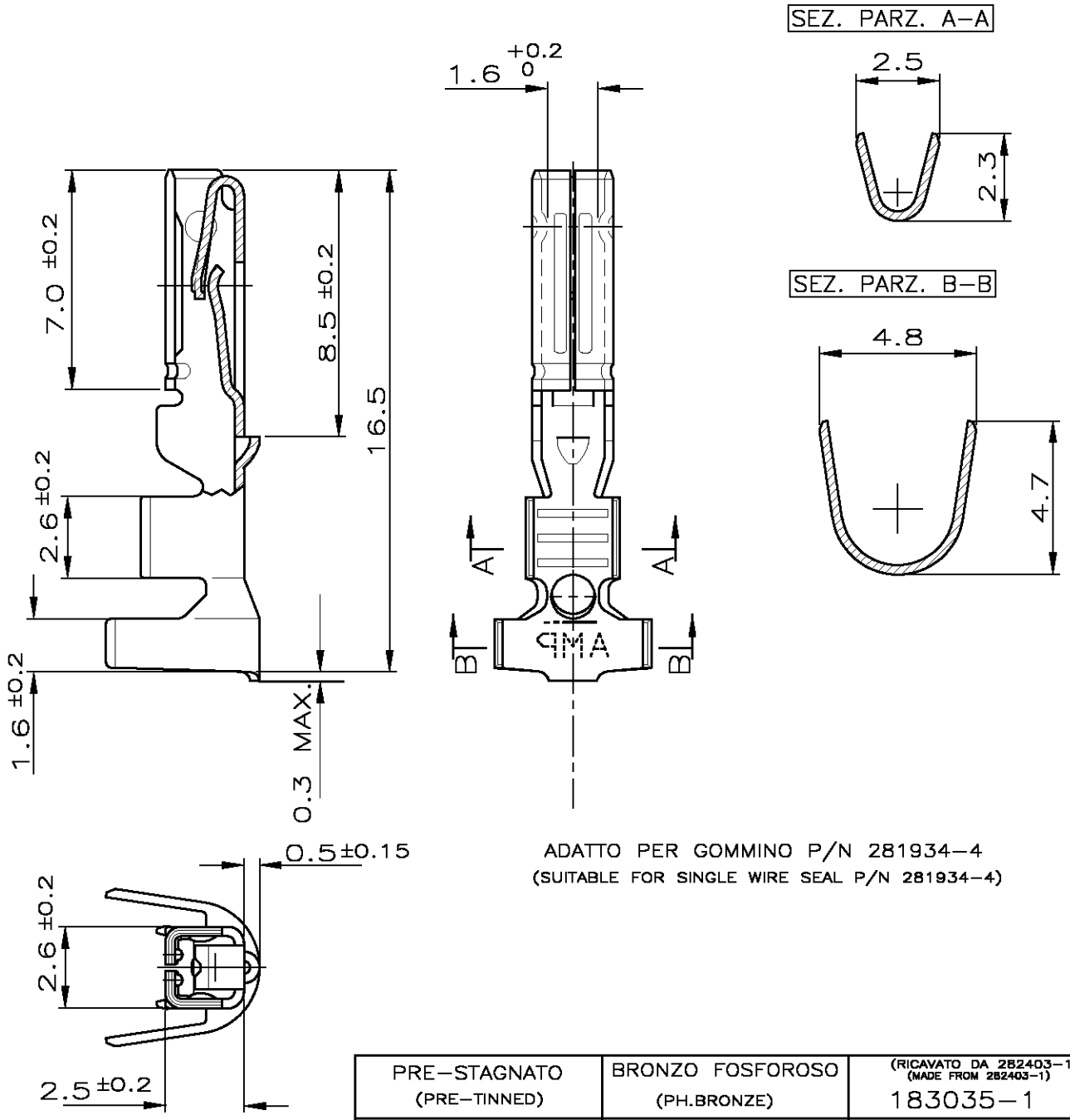


**METRIC**

LOC	DIST	REVISIONS					
I	—	P	LTR	DESCRIPTION	DATE	DWN	APVD
		A2		REVISED PER ECR-13-003131	20MAY2013	M.G.	M.G.


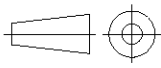
THIS DRAWING IS UNPUBLISHED. ALL RIGHTS RESERVED. THIS DRAWING IS A CONTROLLED DOCUMENT.



ADATTO PER GOMMINO P/N 281934-4  
(SUITABLE FOR SINGLE WIRE SEAL P/N 281934-4)

PRE-STAGNATO (PRE-TINNED)	BRONZO FOSFOROSO (PH.BRONZE)	(RICAVATO DA 282403-1) (MADE FROM 282403-1)
FINITURA / COLORE (FINISH / COLOUR)	MATERIALE (MATERIAL)	NUMERO (PART NUMBER)
		183035-1

DIAM. ISOLANTE (INS. DIA. RANGE)	RANGO FILO (WIRE RANGE)	CUSTOMER DWG. FOR REFERENCE ONLY	DISEGNO PER CLIENTE SOLO PER RIFERIMENTO
VED. NOTA	0.35-0.5mm <sup>2</sup>		

DIMENSIONS: mm	DWN	17 MAY 93	MATERIAL	FINISH		
	C.PIA					
TOLERANCES UNLESS OTHERWISE SPECIFIED:	CHK	17 MAY 93	 TE Connectivity			
	A.BRUNI					
0 PLC ± - 1 PLC ± 0.3 2 PLC ± - 3 PLC ± - 4 PLC ± - ANGLES ± 2°	APVD	-	NAME (LOOSE PIECE VERSION) MINI MIC SRS REC. CONTACT			
	PRODUCT SPEC	-				
	APPLICATION SPEC	-	SIZE	CAGE CODE	DRAWING NO	RESTRICTED TO
	WEIGHT	-	A4	00779	C-183035	-
CUSTOMER DRAWING			SCALE	SHEET	REV	
			5:1	1 OF 1	A2	