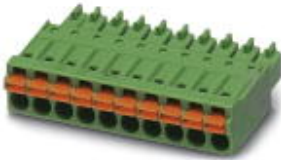


# Printed-circuit board connector - FMC 1,5/ 8-ST-3,81 - 1748037

Please be informed that the data shown in this PDF Document is generated from our Online Catalog. Please find the complete data in the user's documentation. Our General Terms of Use for Downloads are valid (<http://download.phoenixcontact.com>)



Plug component, Nominal current: 8 A, Rated voltage (III/2): 160 V, Number of positions: 8, Pitch: 3.81 mm, Connection method: Spring-cage conn., Color: green, Contact surface: Tin

The figure shows a 10-position version of the product

## Product Features

- User-friendly actuation of the terminal point using a screwdriver
- Maximum contact and packing density in combination with double-level MCDN(V) 1,5 base strips
- Ultra-flat design height of just 7.8 mm
- Wide range of possible combinations with all MC 1,5 base strips with 3.5 or 3.81 mm pitch
- Fast conductor connection thanks to Push-in spring-cage connection
- Touch connection for voltage testing using a 1 mm Ø test pin

## Key commercial data

<b>package_quantity</b>	50
<b>GTIN</b>	4046356311076

## Technical data

### Dimensions

<b>Pitch</b>	3.81 mm
<b>Dimension a</b>	26.67 mm

### General

<b>Range of articles</b>	FMC 1,5/...-ST
<b>Insulating material group</b>	I
<b>Rated surge voltage (III/3)</b>	2.5 kV
<b>Rated surge voltage (III/2)</b>	2.5 kV
<b>Rated surge voltage (II/2)</b>	2.5 kV
<b>Rated voltage (III/3)</b>	160 V
<b>Rated voltage (III/2)</b>	160 V
<b>Rated voltage (II/2)</b>	320 V
<b>Connection in acc. with standard</b>	EN-VDE
<b>Nominal current I<sub>N</sub></b>	8 A
<b>Nominal cross section</b>	1.5 mm <sup>2</sup>
<b>Maximum load current</b>	8 A
<b>Insulating material</b>	PA

# Printed-circuit board connector - FMC 1,5/ 8-ST-3,81 - 1748037

## Technical data

### General

Inflammability class according to UL 94	V0
Internal cylindrical gage	A1
Stripping length	10 mm
Number of positions	8

### Connection data

Conductor cross section solid min.	0.2 mm <sup>2</sup>
Conductor cross section solid max.	1.5 mm <sup>2</sup>
Conductor cross section stranded min.	0.2 mm <sup>2</sup>
Conductor cross section stranded max.	1.5 mm <sup>2</sup>
Conductor cross section stranded, with ferrule without plastic sleeve min.	0.25 mm <sup>2</sup>
Conductor cross section stranded, with ferrule without plastic sleeve max.	1.5 mm <sup>2</sup>
Conductor cross section stranded, with ferrule with plastic sleeve min.	0.25 mm <sup>2</sup>
Conductor cross section stranded, with ferrule with plastic sleeve max.	0.75 mm <sup>2</sup>
Conductor cross section AWG/kcmil min.	24
Conductor cross section AWG/kcmil max	16
Minimum AWG according to UL/CUL	24
Maximum AWG according to UL/CUL	16

## classifications

### eCl@ss

eCl@ss 4.0	272607xx
eCl@ss 4.1	27260701
eCl@ss 5.0	27260701
eCl@ss 5.1	27260701
eCl@ss 6.0	27260704
eCl@ss 7.0	27440402
eCl@ss 8.0	27440402

### ETIM

ETIM 3.0	EC001121
ETIM 4.0	EC002638
ETIM 5.0	EC002638

### UNSPSC

UNSPSC 6.01	30211810
UNSPSC 7.0901	39121409
UNSPSC 11	39121409
UNSPSC 12.01	39121409
UNSPSC 13.2	39121409

# Printed-circuit board connector - FMC 1,5/ 8-ST-3,81 - 1748037

## approvals

UL Recognized / cUL Recognized / GOST / GOST / cULus Recognized /

### Approval details

<b>UL Recognized</b>		
Usegroups	B	D
Nominal voltage UN	150 V	150 V
Nominal current IN	8 A	8 A
mm <sup>2</sup> /AWG/kcmil	24-16	24-16

<b>cUL Recognized</b>		
Usegroups	B	D
Nominal voltage UN	150 V	150 V
Nominal current IN	8 A	8 A
mm <sup>2</sup> /AWG/kcmil	24-16	24-16

<b>GOST</b>
-------------

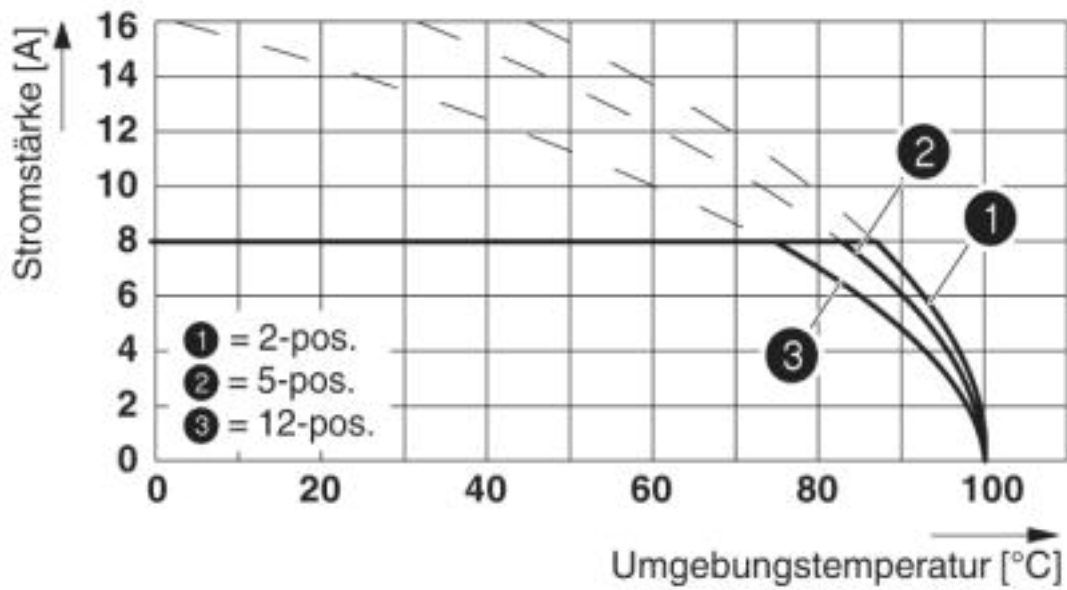
--

<b>cULus Recognized</b>
-------------------------

## Drawings

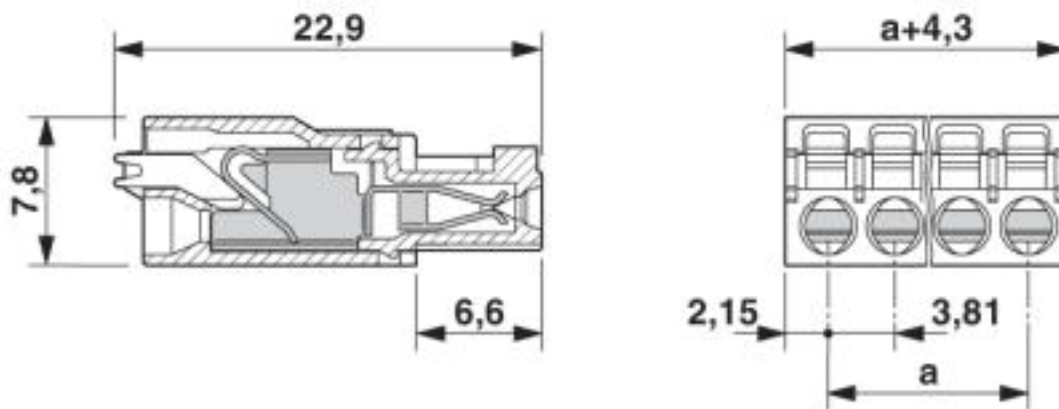
# Printed-circuit board connector - FMC 1,5/ 8-ST-3,81 - 1748037

Diagram



Type: FMC 1,5/...-ST-3,81 with MCV 1,5/...-G-3,81 P26 THR

Dimensioned drawing



© Phoenix Contact 2013 - all rights reserved  
<http://www.phoenixcontact.com>