

PROXXON

Ihr Gerät funktioniert nicht ordentlich? Dann bitte die Bedienungsanleitung noch einmal genau durchlesen.

Ist es tatsächlich defekt, senden Sie es bitte an:

Proxxon Zentralservice
D-54518 Niersbach

Proxxon Zentralservice
A-4224 Wartberg / Aist

Wir reagieren prompt und zuverlässig! Über diese Adresse können Sie auch alle erforderlichen Ersatzteile bestellen.

Wichtig: Eine kurze Fehlerbeschreibung hilft uns, noch schneller zu reagieren. Bei Rücksendungen innerhalb der Garantiezeit bitte Kaufbeleg beifügen.

Bitte senden Sie das Gerät in der Originalverpackung zurück! So vermeiden Sie Beschädigungen beim Transport!

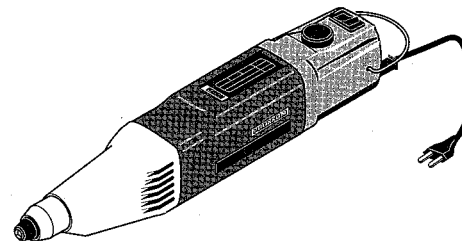
Änderungen im Sinne des technischen Fortschritts behalten wir uns vor.

Art.Nr. 28481-99 PR 701706720J

823820

PROXXON

IB/E



Manual

(D)

(GB)

(F)

(I)

(E)

(NL)

(DK)

(S)

(CZ)

(TR)

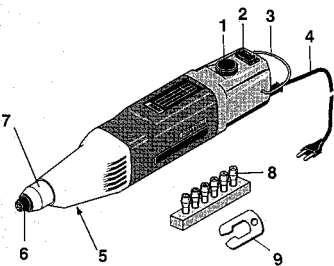


Fig. 1

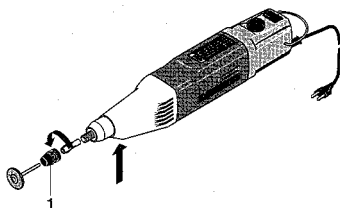


Fig. 2

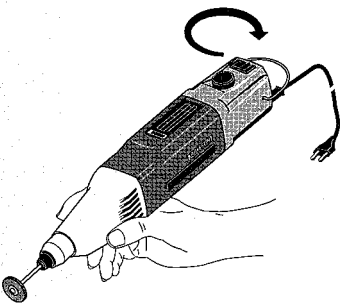


Fig. 3

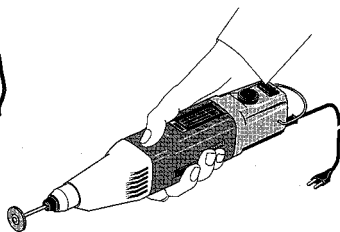


Fig. 4

Dear Customer!

Please read the enclosed safety regulations and operating instructions before using the unit.

Legend

- 1 Speed control button
- 2 ON - OFF - switch
- 3 Hanger
- 4 Mains supply cable
- 5 Locking button
- 6 Spigot nut with steel clamp jaw
- 7 Fitting collar for drill stand (ø 20 mm)
- 8 Steel clamping jaws
- 9 Chuck key

Description of the machine

The PROXXON - drill grinder IB/E is the ideal machine for fine drilling, milling, grinding, polishing, brushing, derusting, engraving, enching and cutting.

You may use this machine with steel, non-ferrous metal, glass, wood, minerals and ceramics.

The drilling spindle is fitted with a high precision ball bearing and runs without clearance in the die-cast aluminium housing. The quiet running, permanently excited special motor with electronic speed control ensures maximum power with small constructive dimensions.

Compact housing made of glass-fibre reinforced nylon with a 20 mm collar on the aluminium section of the housing.

The steel clamping jaws, which come with the machine, are designed for quick and easy changing of tools and ensure far better true running properties than a normal drill chuck.

Technical data

Length: approx. 250 mm
Weight: approx. 500 g
Collar: ø 20 mm

Motor

Voltage: 230 V, 50/60 Hz
Rotary speed: 5,000 - 20,000 rpm
Power consumption: max. 100 W
Noise development: ≤ 70 dB(A)
Vibration in the handle: ≤ 2,5 m/s²



Use indoors only



Protection class II device



Please do not dispose off the machine!

Scope of delivery

- 1 IB/E
- 6 Steel clamping jaws from 0.8 to 3.2mm
- 1 Chuck key
- 1 Operating Manual
- 1 Safety Instructions

Operation

Clamping, changing the tool

Attention!

Pull the mains plug out before changing tools.

Do not press the locking button (arrow fig. 2) as long as the machine is running.

1. Turn the spigot nut 1 (fig. 2) slightly and press the locking button at the same time, until it engages. Loosen the nut for a few turns and change the tool.
If the union nut sticks, use the enclosed chuck key.

Note:

Clamp the tool as short as possible. Excessively protruding shanks will easily bend and cause erratic running.

Working with the machine

Attention!

Do not work without protective goggles.

Do not work with damaged grinding bits or bent shanks.

Always wear a breather mask under extremely dusty conditions or in case of hazardous dusts.

1. Switch the machine on with the switch 2 (fig. 3) and adjust the speed appropriate for the work with the button (1).

Note:

High grinding performance is the result of correct and even rotary speed and not of excessive pressing power.

Small milling / grinding bits = high speed,
Large milling / grinding bits = low speed.

2. For engraving work hold the machine like a ball pen (fig. 3) and do not cover the ventilation slots with your hand.
3. For rough work hold the machine like a hammer (fig. 4).

The drill grinder IB/E has an ergonomic design, so that it can be easily guided at the fitting collar. The thread for the clamping jaw nut is lowered into the machine housing. The use of a drill chuck is therefore not possible.

Maintenance

Danger!

Danger of injury!

Disconnect from the mains prior to all maintenance and cleaning operations.

Note:

Each unit becomes soiled in carrying out operations on wood. Care is therefore essential.

Always keep the apertures which are necessary for cooling the motor free of dust and dirt.

All grinding dust must be thoroughly removed with a brush or a soft cloth.
Make certain that no ventilation slots are obstructed.

Disposal

Please do not dispose of the device in domestic waste! The device contains valuable substances that can be recycled. If you have any questions about this, please contact your local waste management enterprise or other corresponding municipal facilities.

EC Declaration of Conformity

We declare and assume sole responsibility for ensuring that this Product corresponds with the following EC guidelines:

EC Low Voltage Directive 73/23/EWG-93/68/EWG
Applicable standards: DIN EN 60745-1 / 12.2003
DIN EN 60745-2-1 / 02.2004

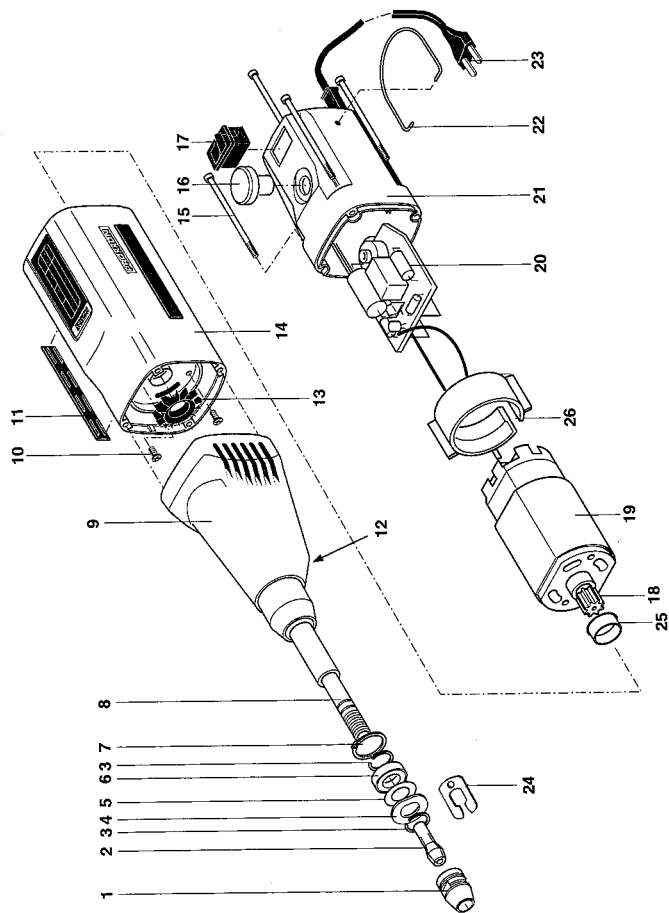
EC-machine directive 98/37/EWG
According to standards: DIN EN 60745-1 / 12.2003
DIN EN 60745-2-1 / 02.2004

EC EMC Directive 89/336/EWG
Applicable standards: DIN EN 55014-1 / 09.2003
DIN EN 55014-2 / 08.2002
DIN EN 61000-3-2 / 12.2001
DIN EN 61000-3-2 A2 / 09.2005
DIN EN 61000-3-3 / 05.2002

Dipl.-Ing. Jörg Wagner

07.02.2006

PROXXON S.A.
Department for Equipment Safety



Ersatzteilliste

Ersatzteile bitte schriftlich beim PROXXON Zentralservice bestellen
(Adresse auf der Rückseite der Anleitung)

IB/E Artikel-No. 28481

ET-Nr.:	Benennung
28481 - 01	Überwurfmutter
28481 - 02	Spannzange (Zubehör)
28481 - 03	Sicherungsring
28481 - 04	Federscheibe
28481 - 05	Distanzring
28481 - 06	Kugellager
28481 - 07	Sicherungsring
28481 - 08	Welle
28481 - 09	Gehäuse Vorderteil mit Arretierknopf
28481 - 10	Motor-Befestigungsschrauben
28481 - 11	Schutzleiste, lose
28481 - 12	Arretierknopf
28481 - 13	Lüfter
28481 - 14	Motorgehäuse inkl. Schutzleiste
28481 - 15	Gehäuseschraube
28481 - 16	Regelknopf
28481 - 17	Schalter
28481 - 18	Motorritzel
28481 - 19	Motor inkl. Ritzel
28481 - 20	Regelung
28481 - 21	Hintere Gehäusekappe
28481 - 22	Gerätebügel
28481 - 23	Netzleitung inkl. Stecker und Tülle
28481 - 24	Schlüssel
28481 - 25	Zentrierriem
28481 - 26	Stützring
28481 - 97	Artikelverpackung
28481 - 99	Bedienungsanleitung