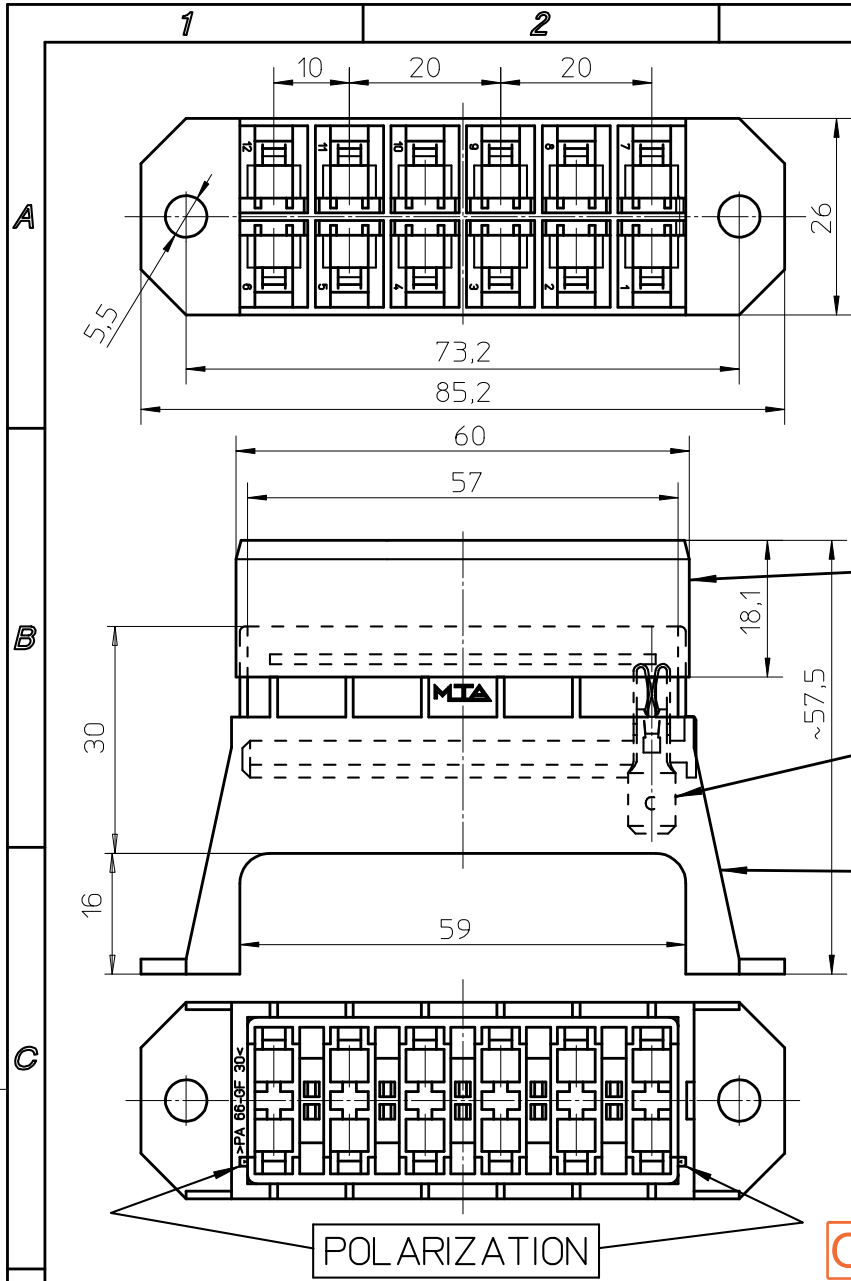
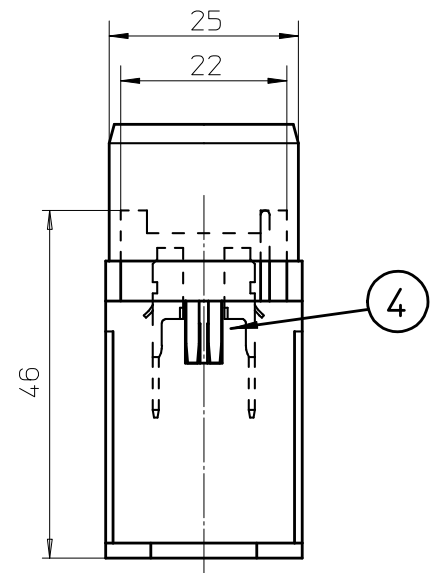


All proprietary rights reserved by MTA Sp.A. - This drawing shall not be reproduced, or in any way utilized, for the manufacture of the component or unit herein illustrated and must not be released to other parties, without written consent. Any infringement will be legally pursued.



OPERATING FEATURES		
FEATURE	UNIT	VALUE
V max	V	32
T. min - T. max	°C	-30 / +85
* I Global Continuous	A	100
IP	IEC 529	22



*APPLICATION WITH GLOBAL CURRENT HIGHER THAN THE INDICATED ONE, HAVE TO BE VERIFIED AND AUDITED ONE BY ONE

ONLY FOR REFERENCE

Pos.	Q.ty	DENOMINATION	MATERIAL
4	2	SECONDARY LOCK	PA 66 V2 - YELLOW COLOR
3	8	MALE TERMINAL	CuSn Tin Plated
2	1	COVER	PC V2 - TRANSPARENT
1	1	BODY 4 WAY	PA 66-GF30 HB - BLACK COLOR

Rel. Level		APPROVED	Draw for CLIENT			Denom. FUSE BOX UNIVAL AXIAL 6WAY
Date		Name	Scale	Weight(g)	Lin.Tol.±	Ang.Tol.±
Draft	28/12/1995	L. BASSI	1:1		0.3	
Chk	28/12/1995	L. BASSI				
PQApp	30/07/2008	R.GONZALEZ	A4		Dimensions in (mm)	Sheet 1/1
App.	30/07/2008	M.CORBANI				

4	LATERAL HOLES REMOVED	
No.	Reason for Revision	Date 30/07/2008 Name S.BEDUSCHI