

USB PLUG A	BRAID	USB PLUG B
PIN 1	RED	PIN 1
PIN 2	WHITE	PIN 2
PIN 3	GREEN	PIN 3
PIN 4	BLACK	PIN 4

**NOTE:**

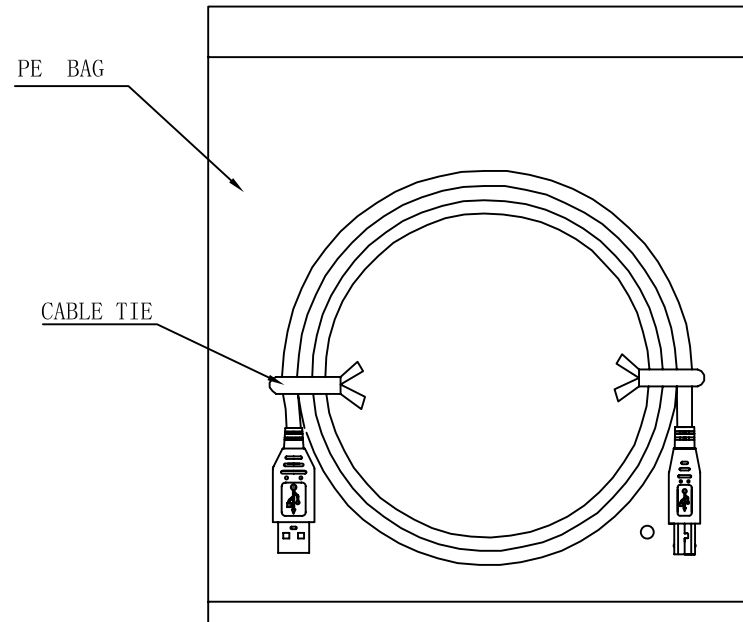
1. Electrical test:
  - (1). 100% open short & miss wire test;
  - (2). Insulation resistance: DC 300V 10MΩ;
  - (3). Contactor resistance: 3Ω Max;
  - (4). Dielectric strength: 100V AC/Minute, 1mA.
2. PRINT WORD: AWM STYLE 2725 80°C 30V VW-1 28AWG×1P 28AWG×2C
3. PACKING: 1PCS/PE BAG
4. ROHS AND REACH COMPLIANT

**MATERIAL LIST:**

④	OUTER MOLD	PVC COLOR FOR TRANSPARENT	2	
③	USB B TYPE	USB B/M SOLDER TYPE, WHITE PBT INSULATION, THE PIN GOLD PLATING, THE SHELL FOR NICKEL PLATING	1	
②	USB A TYPE	USB A/M SOLDER TYPE, WHITE PBT INSULATION, THE PIN GOLD PLATING, THE SHELL FOR NICKEL PLATING	1	
①	CABLE	USB2.0 28AWG (7/0.12BC)*1P+28AWG (7/0.12BC)*2C+AL-FOIL+BRAID (16/3/0.12)AL-MG PVC/TRANSPARENT JACKET OD: 4.0±0.2MM	1	
NO.	PARTS NAME	SPECIFICATION STANDARD	QT'Y	REMARK

					CUSTOMER				ITEM NO.	SEE THE CHART			
					PRODUCT NAME		USB 2.0 AM/BM		UNO ITEM NO.		UNIT	MM	
		NEW			2013. 12. 18		A		DRAWNBY		CHECKBY	APPOBY	DATE
BY	CHK	REVISION RECORD MODIFICATIONS			DATE	REV.	FERGUS		ALVAN		2013. 12. 18		

ITEM NO.	LENGTH	Weight
	500+60/-0	
	1000+60/-0	
972030	1800+100/-0	51G
972387	3000+100/-0	75G
972317	5000+100/-0	115G



					CUSTOMER			ITEM NO.		SEE THE CHART		
					PRODUCT NAME		USB 2.0 AM/BM		UNO ITEM NO.		UNIT MM	
					NEW		2013. 12. 18		A		DATE	
					DRAWNBY		CHECKBY		APPOBY		DATE	
					BY		CHK		REVISION RECORD MODIFICATIONS		DATE	
					FERGUS		ALVAN				2013. 12. 18	