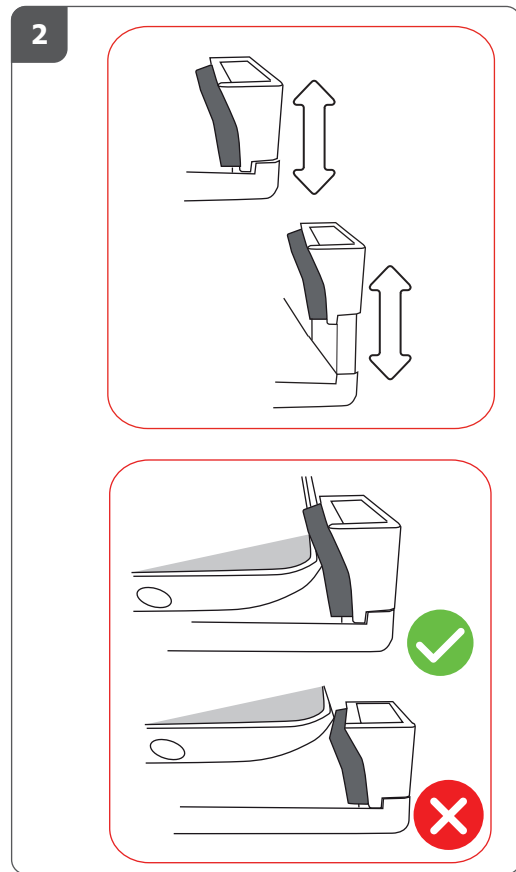
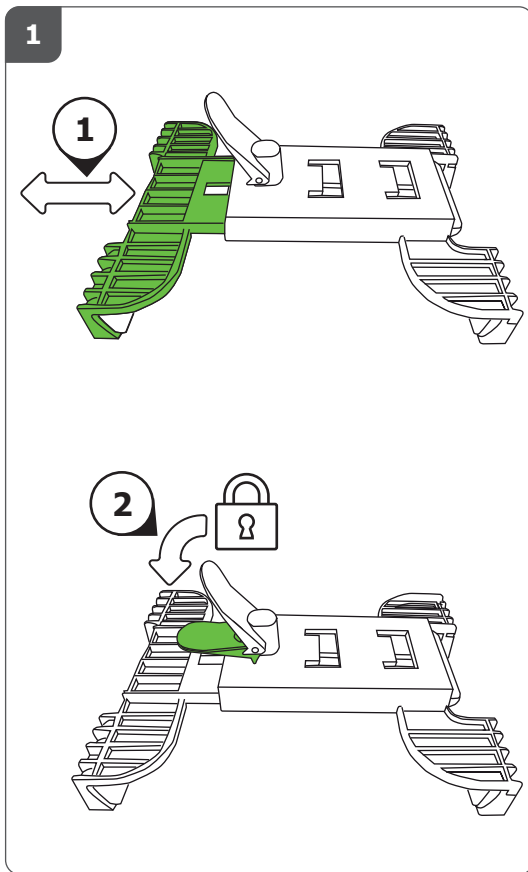


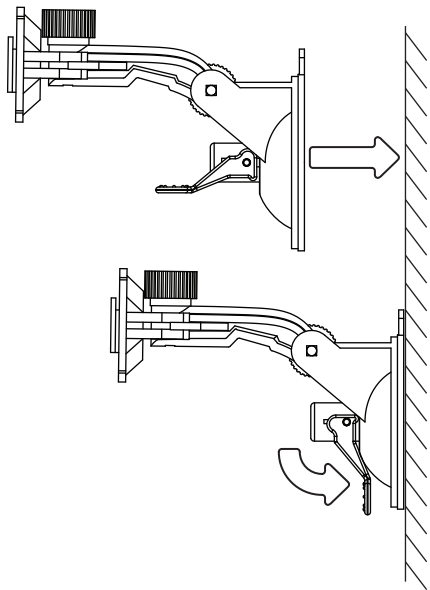


## Quick Installation Guide

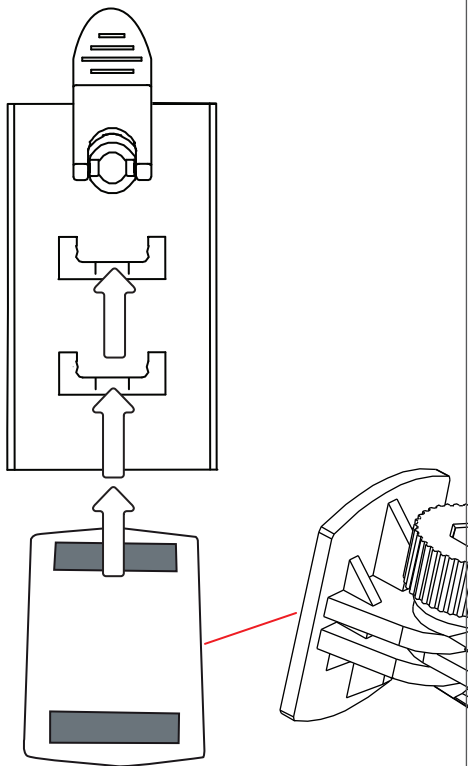
Car Tablet Holder



3



4



## Frequently asked questions

[www.trust.com/19735/faq](http://www.trust.com/19735/faq)