

# Connecting Link for SMD Terminal Blocks with Push-Buttons, 0.75 mm<sup>2</sup> Pin Spacing 4 mm 2060 Series



- Connecting link simplifies LED circuit board assembly
- Easy push-in termination and disconnection without push-button actuation

**Technical data:**

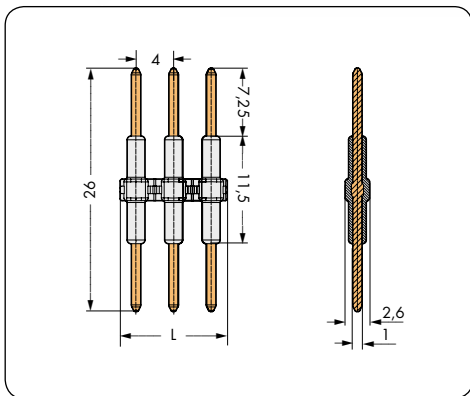
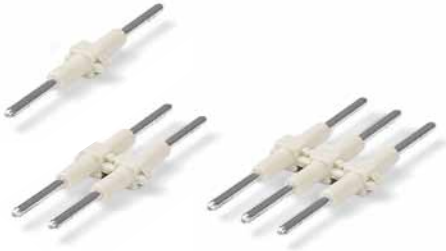
Pin Spacing	4 mm 0.157 in				
Ratings per	IEC/EN 60664-1				
Overvoltage category	III	III	II		
Pollution degree	3	2	2		
Rated voltage	63 V	160 V	320 V		
Rated surge voltage	2.5 kV	2.5 kV	2.5 kV		
Nominal current	9 A	9 A	9 A		
Approvals per	UL/CSA*				
Rated voltage, 1-pole	-				
Rated voltage, 2 or more poles	-				
Nominal current UL	-				

**Material data:**

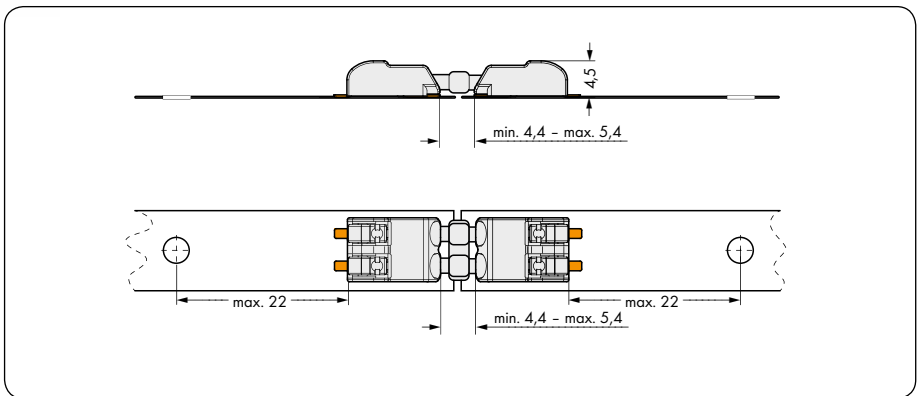
Material group	I
Insulating material	Polyamide 6.6 (PA 6.6)
Flammability rating per UL 94	0V
Lower/Upper limit temperature	-60 °C / +105 °C
Contact material	Copper alloy
Contact plating	silver-plated

# Connecting Link for SMD Terminal Blocks with Push-Buttons, 0.75 mm<sup>2</sup>

Pin spacing 4 mm / 0.157 in		
160 V/2.5 kV/2 9 A		



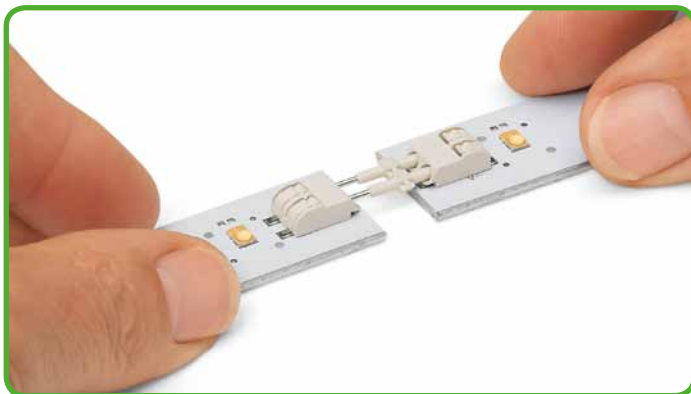
L = (pole no. x pin spacing) - 0.6 mm



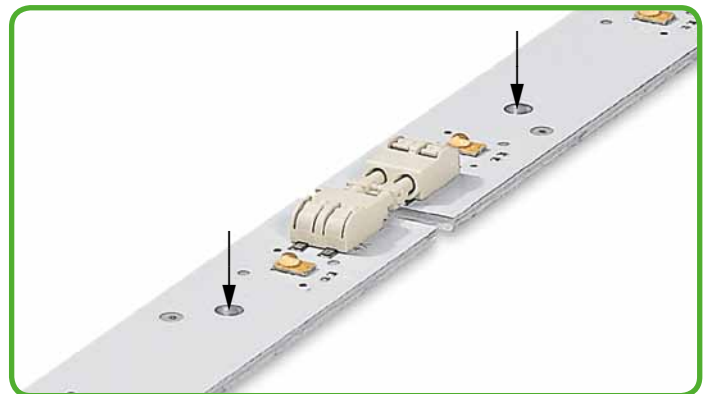
Pole No.	Item No.	Pack. Unit
<b>Connecting link for SMD terminal blocks with push-buttons</b>		
1	2060-901	
2	2060-902	
3	2060-903	



Inserting the connecting link into the terminal block.



Assembling/Disassembling PCBs - Place the PCBs on a flat surface and plug them straight (axially) together, then pull them apart. (max. 10 connections/disconnections)



The PCBs must be secured (see figure above).