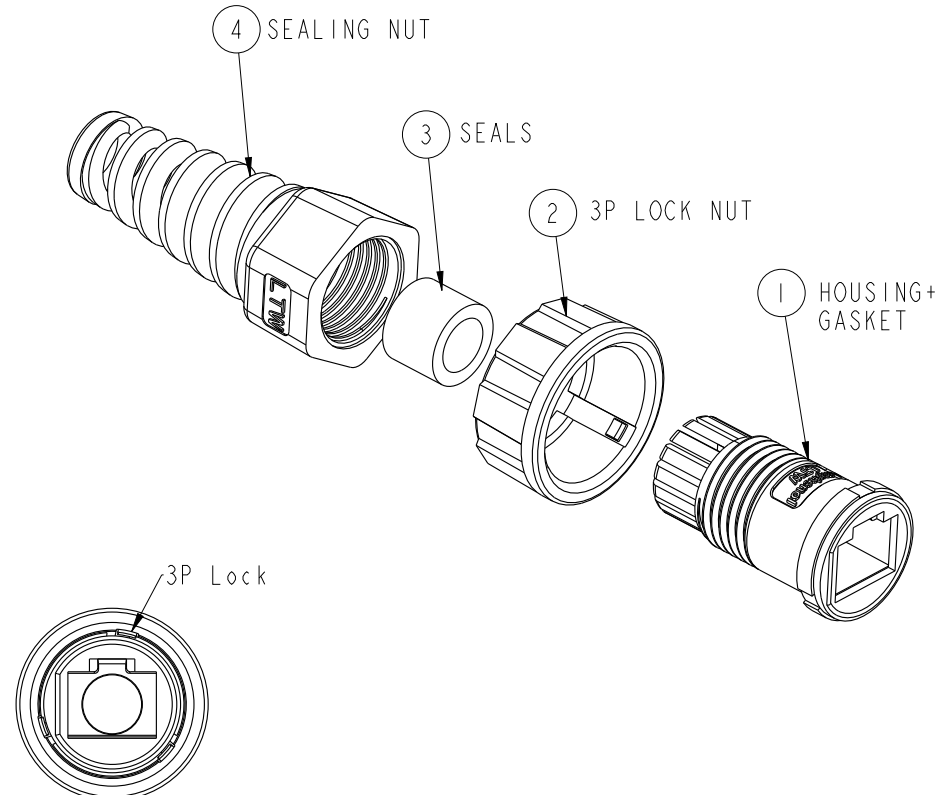
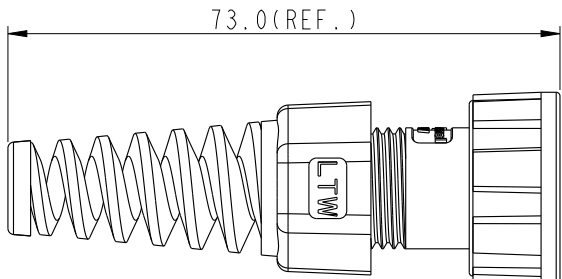
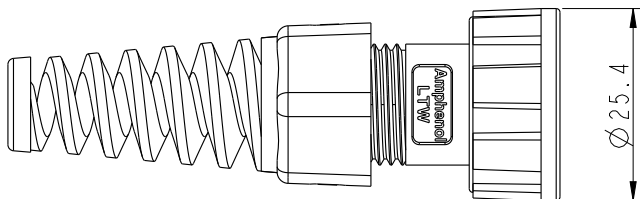


REV.	ECN NO.	DATE	SIGN	DESCRIPTION



ALTW  
DCC. DEPT.  
CONFIDENTIAL  
2013.05.07  
ISSUED

ALTW  
CONFIDENTIAL  
2013-04-25  
R&D DEPT.

Note:  
 \*  $\varnothing$  Important Dimension  
 \* Waterproof Rate : IP67 (Mating)  
 \* Housing : Nylon,Black  
 \* Gasket : Silicon,Dgray.  
 \* Screw Nut : Nylon+GF,Black  
 \* Sealing Nut: Nylon,Black  
 \* Seals: Silicon,Dgray.  
 \* Seals for cable OD  $\varnothing$ 4.5~6.5mm  
 \* One Set Unassembled in One PE Bag.

A	UNIT : mm			TITLE	Amphenol LTW		ITEM NO	DRAWN BY	DATE
	TOLERANCE	$\pm 0.25$	$\pm 0.1$	RJ45 ASSY,CSIZE,3T WITH SR	安費諾亮泰企業股份有限公司		RCP-00AMMA-TLM7001	Laurence_zang	2013-04-25
	.X	$\pm 0.1$	$\pm 0.05$	SCALE	SIZE	SHEET	DWG NO	CHECKED BY	DATE
.XX	$\pm 0.1$	$\pm 0.05$	1:1	A4	1 OF 1	RCP-00AMMA-TLM7001	RAISON	2013-04-25	
.XXX	$\pm 0.05$	$\pm 1^\circ$	REV.	WC-REV.	$\varnothing$ Inspection item	CUSTOMER	APPROVED BY	DATE	
ANGLES	$\pm 1^\circ$		A	A.5		ALTW	VICTOR	2013-04-25	

THIS DOCUMENT IS SUBJECT TO CHANGE WITHOUT NOTICE. IT IS CONFIDENTIAL AND A PROPERTY OF Amphenol LTW. DISCLOSURE TO THIRD PARTY HAS TO BE AUTHORIZED BY Amphenol LTW.