

# A20L-V4E20Q□R



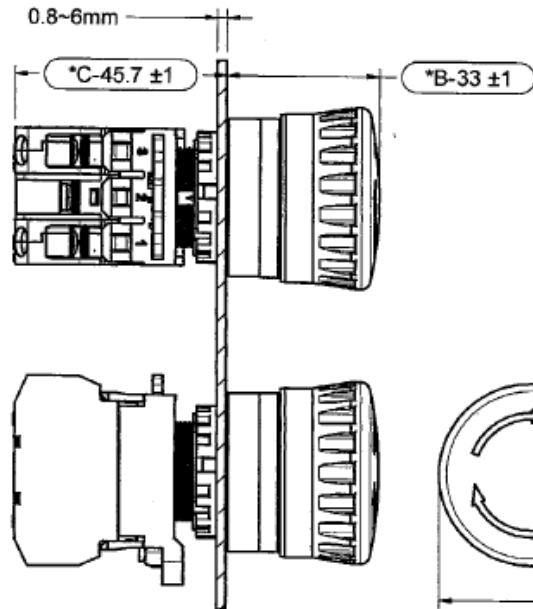
- R : Red
- Q□ : Lamp
- 20 : 2NO
- E : Standard
- 4 : Mushroom
- V : Emergency Stop
- A20L : Type

0: Without Lamp
LED
2: 6V AC/DC
3: 12V AC/DC
4: 24V AC/DC
H: 110V AC/DC
M3: 230/240V AC/DC
Incandescent
5: 6V AC/DC
6: 12V AC/DC
7: 24V AC/DC

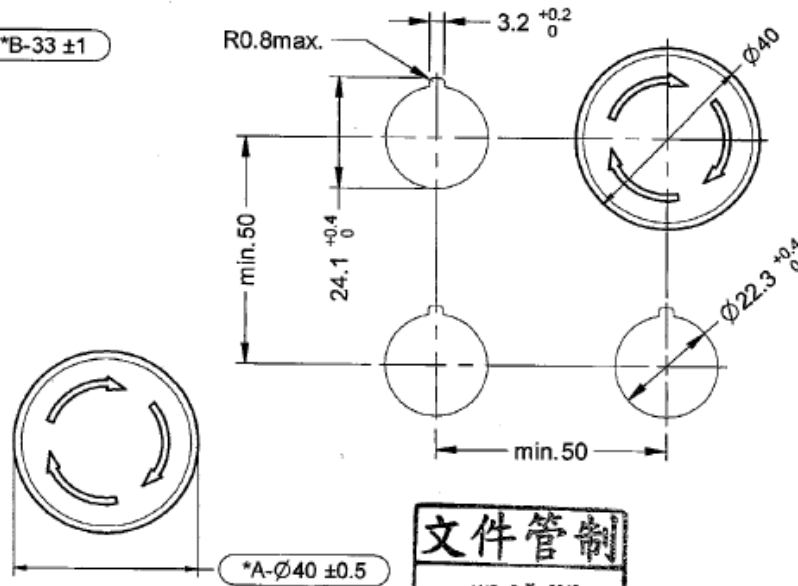
## Product Specifications

Mechanical life	: >0.25 million operations
Electrical life	: >0.1 million operations
Rated insulation voltage	: 600V
Rated thermal current	: 10A
Insulation resistance	: 100MΩ
Dielectric strength	: 2500V AC, 1 minute
Panel thickness	: 0.8mm ~ 6mm
Degree of protection	: IP 65
Storage temperature	: -45°C to +85°C
Operating temperature	: -25°C to +55°C

## Screw Type Illuminated Emergency Stop Switches



### Hole Dia



### Contact Block Mounting Position

Contact	Operator Position		
	Free	Push	—
1	NO	●	
2			
3	NO	●	

●=On (closed contact)  
blank=Off (open contact)

### Contact Ratings

Rated Insulation Voltage		600V			
Rated Thermal Current		10A			
Operating Voltage		24V	120V	240V	380V
AC	Resistive Load (AC-12)	10A	10A	6A	2A
50/60 Hz	Inductive Load (AC-15)	10A	6A	3A	1.9A
DC	Resistive Load (DC-12)	8A	2.2A	1.1A	—
	Inductive Load (DC-13)	4A	1.1A	0.55A	—

Distributed by Conrad Electronic SE

文件管制  
AUG 05, 2013  
文管中心

<b>DECA</b> switchLab Inc.			PART NAME	UNIT	SCALE
			Illuminated Emergency Stop Switches (2NO)	MM	1:0.7
DESIGN Jim	CHECK V. K.	APPROVE J. L.	DRAWING NO.		SHEET
DATE 2013.8.5	DATE 2013.8.5	DATE 2013.8.5	A20L-V4E20QxR		1/1

B			2013/08/05	Jim	Kingdom	吳智遠
REV.	NOTE	CHANGE DESCRIPTION	DATE	DESIGN	CHECK	APPROVE