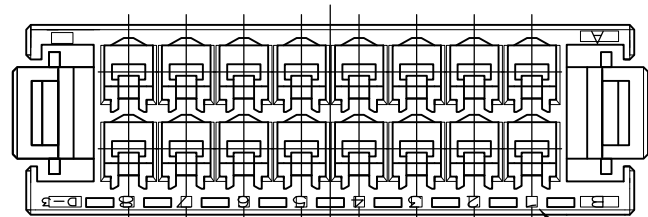


THIS DRAWING IS UNPUBLISHED. RELEASED FOR PUBLICATION

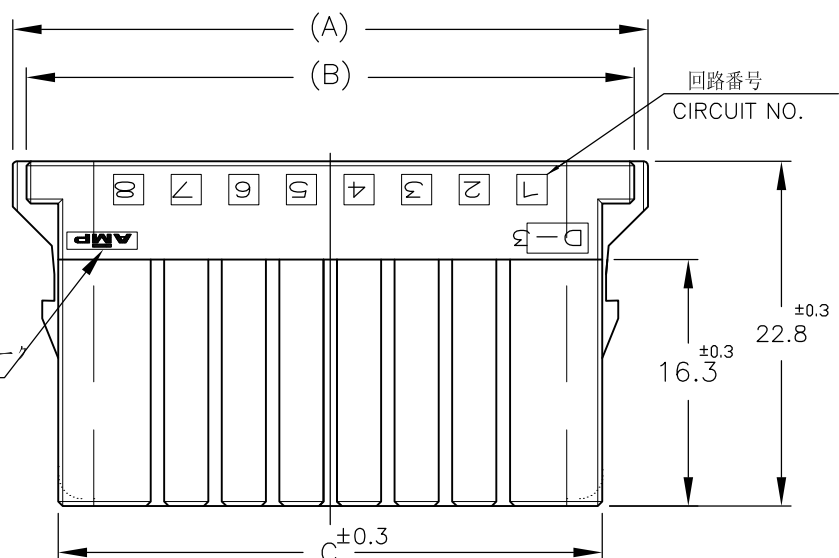
© COPYRIGHT - By Tyco Electronics Japan G.K.

ALL RIGHTS RESERVED.

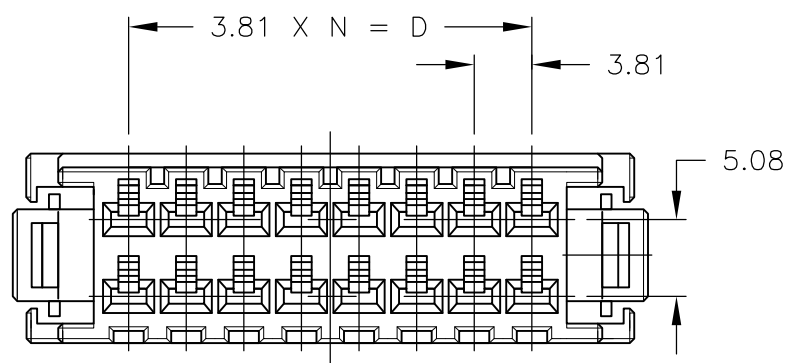
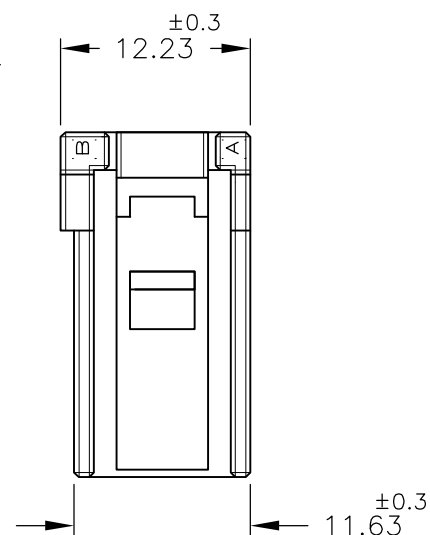
LOC	DIST	REVISIONS					
J	-	P	LTR	DESCRIPTION	DATE	DWN	APVD
			C8	REVISED	27JUL2012	H.M	N.Y



回路番号
CIRCUIT NO.



AMPマーク&ロケーションマーク
AMP MARK &
LOCATION MARK



NOTE

- 1 MATERIAL:GLASS FIELD THERMO PLASTIC,POLYESTER
COLOR;BLACK
- ~~2 TO COAT ALL SURFACE OF HOUSING WITH TEFLON~~
- 3 THE SHAPE,SIZE AND POSITION OFTHE CHARACTER
SHOW THE OUTLINE THEY DON'T SHOW DETAILS

注記

- 1 材料: ガラス入り熱可塑性ポリエステル樹脂
色: 黒色
- ~~2 ハウジング全面にテフロン塗装のこと~~
- 3 文字の形状、大きさ、および位置については、大略を示すものであり、
詳細を示すものではありません。

		20 POS.	51.03	47.83	43.37	34.29	9	178289-8
OBSOLETE	△	16 POS.						5=178289=7
		16 POS.			SEE SHEET 20F2			178289-7
		12 POS.	35.79	32.59	28.13	19.05	5	178289-6
OBSOLETE	△	10 POS.	31.98	28.78	24.32	15.24	4	5=178289=5
		10 POS.	31.98	28.78	24.32	15.24	4	178289-5
		8 POS.	28.17	24.97	20.51	11.43	3	178289-4
OBSOLETE	△	6 POS.	24.36	21.16	16.70	7.62	2	5=178289=3
		6 POS.	24.36	21.16	16.70	7.62	2	178289-3
FINISH	POS.	DIMENSION	A	B	C	D	N	PART NUMBER

THIS DRAWING IS A CONTROLLED DOCUMENT.

DWN N.MATSUBARA 09JUL1991
CHK H.OBATA 24FEB1992
APVD S.MANABE 04MAR1992

STE TE Connectivity

REC HSG FOR DYNAMIC DPUBLE ROW
DYNAMIC D-3100 REC HSG

PRODUCT SPEC -
APPLICATION SPEC -
WEIGHT -

SIZE A3 CAGE CODE 00779 DRAWING NO C-178289 RESTRICTED TO -

CUSTOMER DRAWING SCALE 2:1 SHEET 1 OF 2 REV C8

DIMENSIONS: mm	TOLERANCES UNLESS OTHERWISE SPECIFIED: 0 PLC ± 1 PLC ± 2 PLC ± 3 PLC ± 4 PLC ± ANGLES ±3'
	±0.2 ±0.25 ±0.3
MATERIAL SEE NOTE	FINISH -

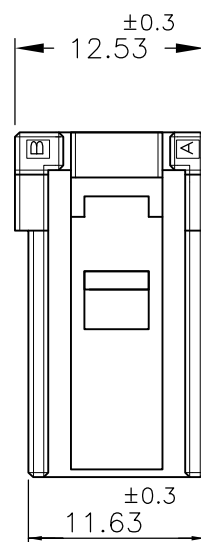
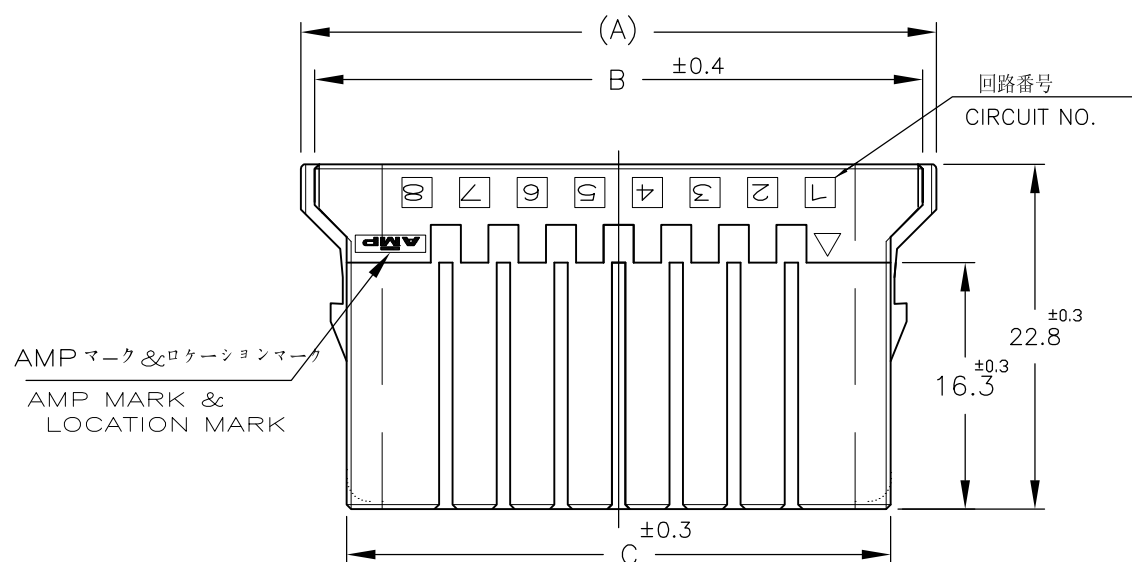
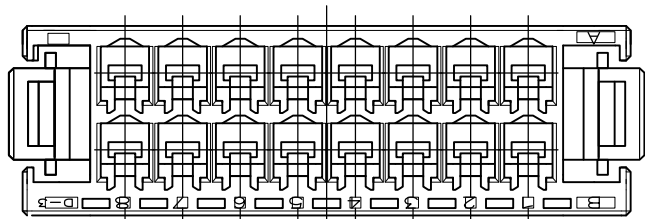
THIS DRAWING IS UNPUBLISHED.

RELEASED FOR PUBLICATION

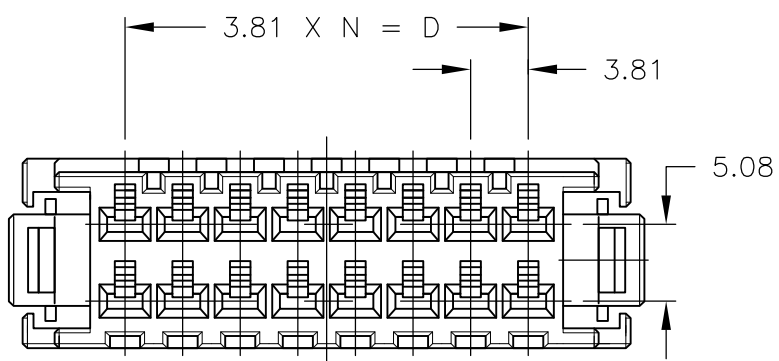
© COPYRIGHT - By Tyco Electronics Japan G.K.

ALL RIGHTS RESERVED.

LOC	DIST	REVISIONS				
P	LTR	DESCRIPTION	DATE	DWN	APVD	
J	-	-	-	-	-	
		SEE SHEET 1				



NOTE:SEE SHEET 1 OF 2



OBSOLETE									5-178289-7
		16POS	42.71	40.21	35.97	26.67	7		178289-7
		FINISH	DIMENSION	A	B	C	D	N	PART NUMBER

THIS DRAWING IS A CONTROLLED DOCUMENT.		DWN	N.MATSUBARA	09JUL1991	TE Connectivity REC HSG FOR DYNAMIC DPUBLE ROW DYNAMIC D-3100 REC HSG					
DIMENSIONS: mm		CHK	H.OBATA	24FEB1992						
TOLERANCES UNLESS OTHERWISE SPECIFIED:		APVD	S.MANABE	04MAR1992						
0 PLC ± 0.2 1 PLC ± 0.25 2 PLC ± 0.25 3 PLC ± 0.3 4 PLC ± 0.3 ANGLES ± 3°		PRODUCT SPEC		NAME						
MATERIAL SEE NOTE		FINISH		-	APPLICATION SPEC	SIZE	CAGE CODE	DRAWING NO	RESTRICTED TO	
						A3	00779	C-178289		
CUSTOMER DRAWING					SCALE	2:1	SHEET	2 OF 2	REV	C8