

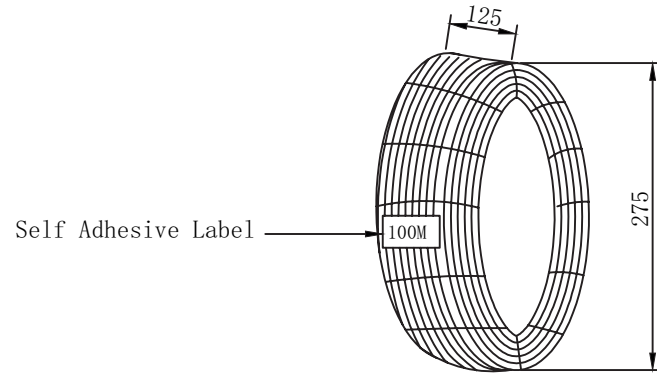
# HDMI14

date/contact: 310812/CHA  
 finishing: TKI  
 last update: 070415  
 drawing: TKI  
 unit: mm  
 tolerance: -  
 page: 1/1

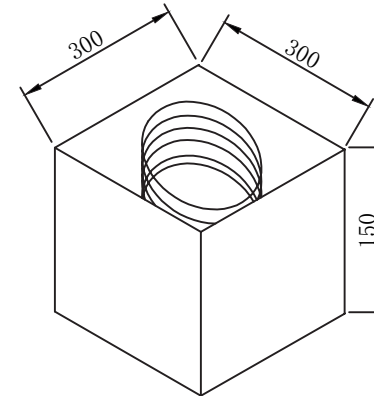
EVE GmbH  
 Hollefeldstr. 16  
 48282 Emsdetten  
 Tel.: +49 (0) 25 72 / 93 51 - 0  
 Fax: +49 (0) 25 72 / 93 51 - 24  
 www.eve.de • info@eve.de

konform  
**RoHS**  
 compliant

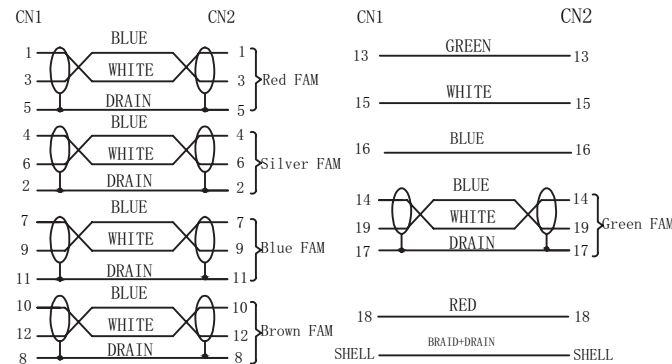
**eve**  
 GmbH  
 ELEKTRONIK DISTRIBUTION



100m/PE FILEM



### PIN OUT



### MATERIAL LIST:

③	CARTON	SIZE: 300*300*150MM	1
②	LABEL	Self Adhesive Label	1
①	CABLE	HDMI 28AWG (7/0.12BC*1P+7/0.12BC+AM)*5PCS+7/0.12BC*4C+AM+7/0.12CCS+112/0.12ALM+PVC/BLACK OD: 7.3±0.2MM	100m
NO.	PARTS. NAME	SPECIFICATION STANDARD	QT' Y

### NOTE:

1. Cabling test 5 m to 1080P (include 5m)
2. RoHS2.0 compliant
3. PRINT WORD: HIGH SPEED HDMI® CABLE WITH ETHERNET
4. PACKING: 1PCS/PE FILM + LABEL, 1PCS/OUTLET CARTON