

SPECIFICATION:

Current rating: 16 A
 Voltage rating: 60 V DC max.
 Contact resistance: 5 mΩ max.
 Operating temperature: -25°C up to 85°C

MATERIAL:

Housing: ABS
 Contact: CuZn38Pb1.5-F41
 Screw: CuZn39Pb3-F51

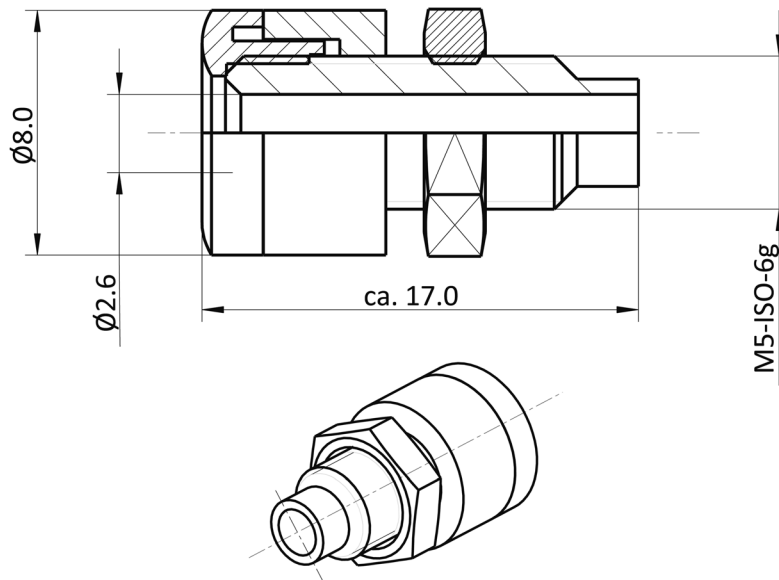
FINISH:

Contact: Glossy nickel plated 3-5 μm
 Screw: Glossy nickel plated 3-5 μm

HANDLING:

Connection: Hand soldering
 Packing: Bulk

RoHS
COMPLIANT



Order-Information

Series:	Colour:
HOB	#
HO Socket 2.6 mm	SW: black *
	RT: red *
	BL: blue *
	GE: yellow *
	GN: green *
	GR: grey
	WS: white
	BR: brown
	OR: orange

* = standard