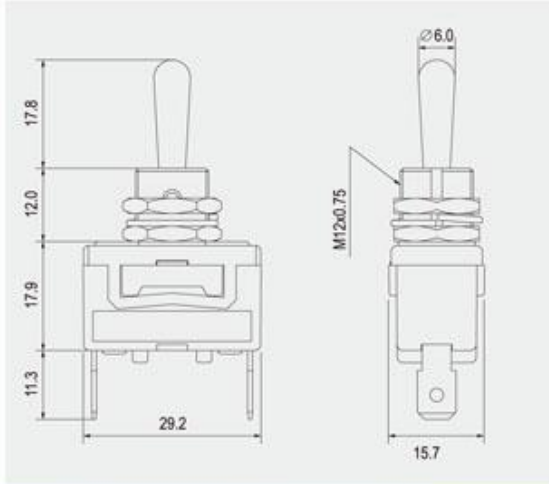


R13-29



Rating
15A 125V AC 1/8HP 10A 250V AC 1/3HP
Contact resistance
50mΩ Max
Insulation resistance
DC 500V 100MΩ Min
Dielectric strength
AC 1500V 1 minute
Cut-out

FEATURES

- * MATERIAL: Metal lever and bushing are nickel plated metal. Frame is metal plated steel. Base is phenolic.
- * Standard toggle lever.
- * Indicator plate and waterproof boot are optional.



R13-29

FUNCTION			TERMINAL
A OFF ON 2P SPST	E ON OFF ON 6P DPDT	K (ON) OFF (ON) 6P DPDT	0 1 .250" SQ
B ON ON 6P DPDT	F OFF ON 4P DPST	M (ON) OFF ON 6P DPDT	0 5 SO
C ON ON 3P SPDT	G (ON) OFF (ON) 3P SPDT		0 6 SC 3
D ON OFF ON 3P SPDT	H (ON) OFF ON 3P SPDT		0 7 SC 4

* () = momentary