

PRODUCT NUMBER
76357-YXXLF

WHEN NEEDED, SUFFIX LETTER "LF"
INDICATES THE PRODUCT IS RoHS
COMPATIBLE, SEE NOTE 3

01: AWG 22-30
11: AWG 20

PLATING CODE

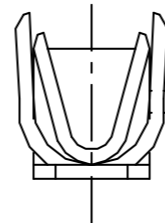
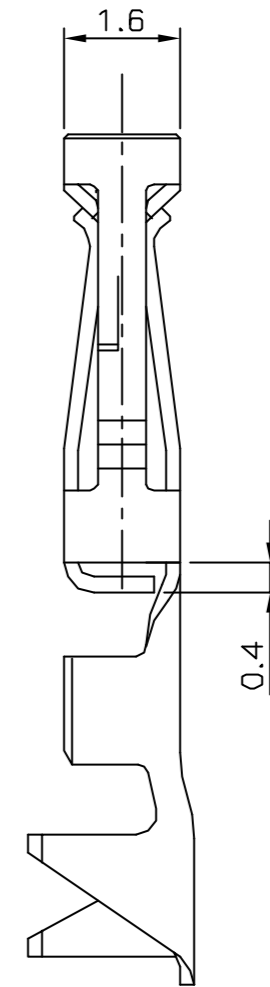
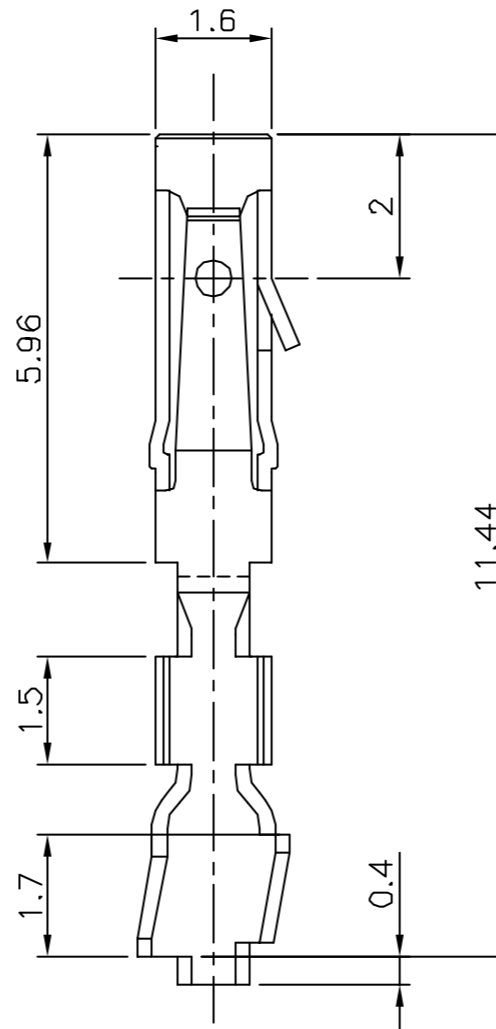
3= 0.76µm GOLD ON CONTACT AREA.
3.81µm TIN-LEAD ON TAIL.
4= 5µm TIN-LEAD ON CONTACT AREA.
3.81µm TIN-LEAD ON TAIL.

WHEN SUFFIX "LF" IS REQUIRED, 2µm MIN MATTE
TIN OVER 1.27 MIN Ni IS SUPPLIED INSTEAD OF SnPb.

NOTES:

- 1 - TERMINAL MATERIAL: PHOSPHOR BRONZE.
- 2 - PRODUCT PACKED IN PLASTIC BOX (1000/BOX).
- 3 - RoHS COMPATIBLE PRODUCT SPECIFICATIONS
- a - PLATING:
 - "LF" MEANS THE PRODUCT IS LEAD-FREE,
2µm MINIMUM MATTE TIN OVER 1.27µm
MINIMUM NICKEL UNDERPLATE.
- b - LABELING:
 - MEETS PACKAGING SPECS AS PER GS-14-920
- c - LEGAL STATEMENT: SEE GS-22-008

THE PRODUCT IS NOT INTENDED TO BE EXPOSED TO A



WIRE DIMENSION	
AWG	OUTSIDE INSULATION DIA.
20	1.30-1.65
22-30	0.90-1.50

mat'l. code		surface <input checked="" type="checkbox"/> ISO 1302 <input type="checkbox"/> ISO 406 <input type="checkbox"/> ISO 1101		tolerance		projection		product family DUBOX		
ltr ecn no dr date		tolerances unless otherwise specified		angles linear		mm		title		
D	10759	-	88.04.05			scale 10:1		CtW CONTACT LOOSE PIECE		
E	F00155	DLE	00.03.16					sheet 1 of 1 size		
F	F10103	GCO	01.01.02					76357 A3		
G	F04-0373	DLE	04.11.19	dr	D LEGRAND	00.03.16			type CUSTOMER Drawing	
H	F05-0286	DLE	05.11.07	enr	P NIZZI	00.03.16				
J	F06-0215	DLE	06.06.30	chr	JF NOTTEAU	00.03.16				
K	F06-0237	DLE	06.07.13	appd	PNZ	00.03.16				
sheet index		revision sheet								