

**SPECIFICATION:**

Current rating: 16 A  
 Voltage rating: 60 V DC max.  
 Contact resistance: 5 mΩ max.  
 Operating temperature: -25°C up to 85°C

**MATERIAL:**

Housing: PS  
 Contact: CuZn39Pb3-F51  
 Screw: CuZn39Pb3-F51

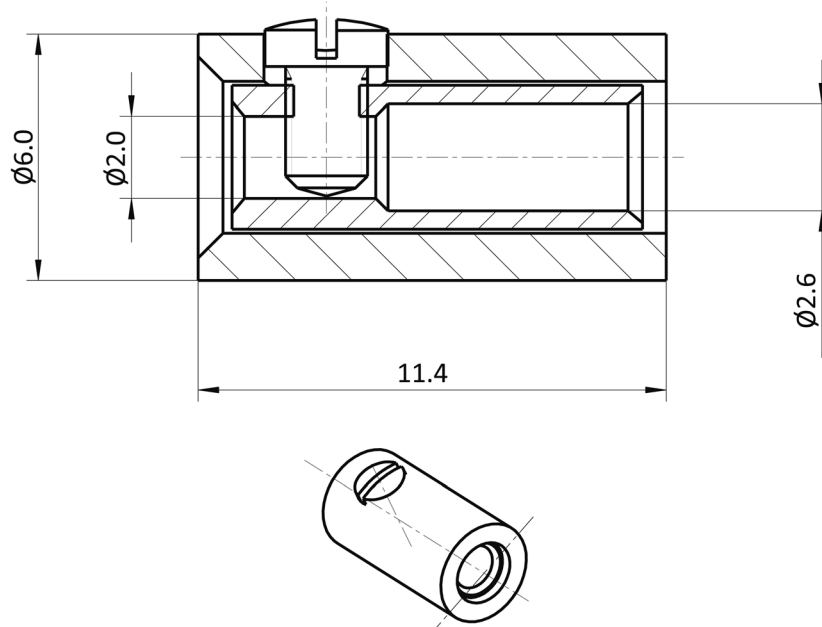
**FINISH:**

Contact: Glossy nickel plated 3-5 μm  
 Screw: Glossy nickel plated 3-5 μm

**HANDLING:**

Connection: Screw connection  
 Packing: Bulk

RoHS  
COMPLIANT



**Order-Information**

Identifier:

HOK

HO Jack 2.6 mm

Colour:

#

SW: black \*

SRT: signal red \*

BL: blue \*

GE: yellow \*

GN: green \*

OR: orange

GR: grey

WS: white

BR: brown

\* = standard