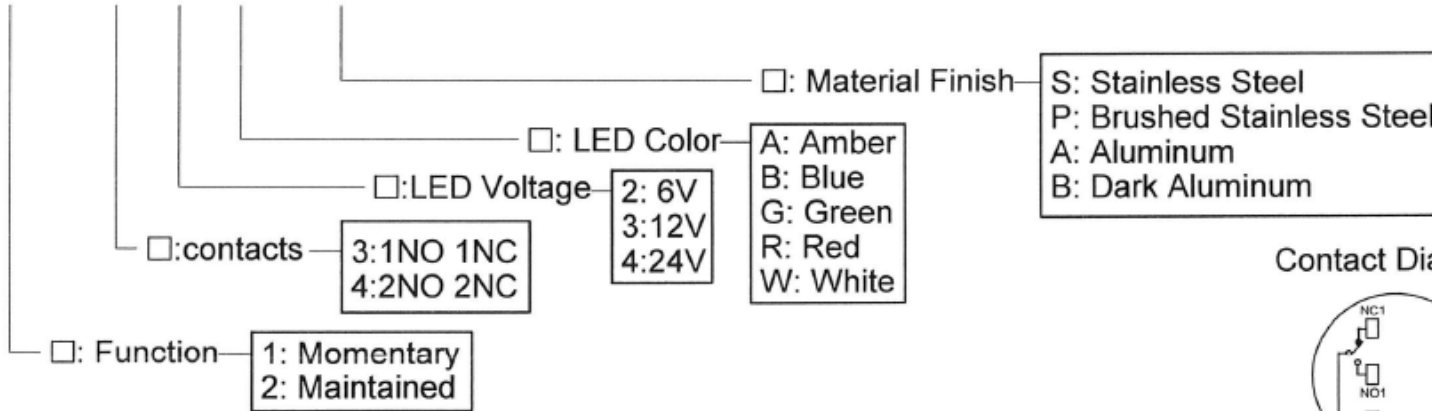


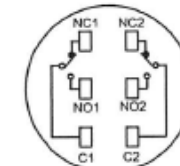
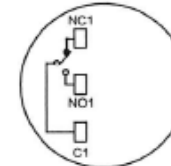
Type No. :

F24S1-□2□□□F□002

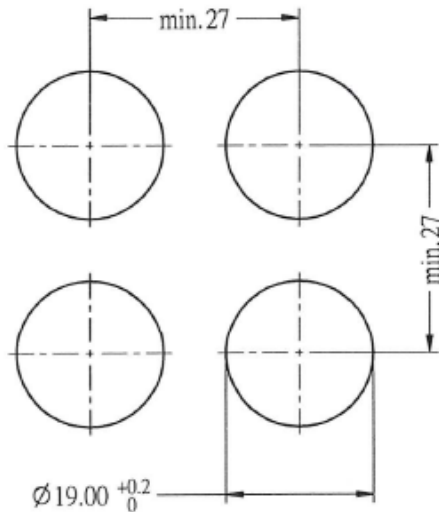
RoHS
Compliant



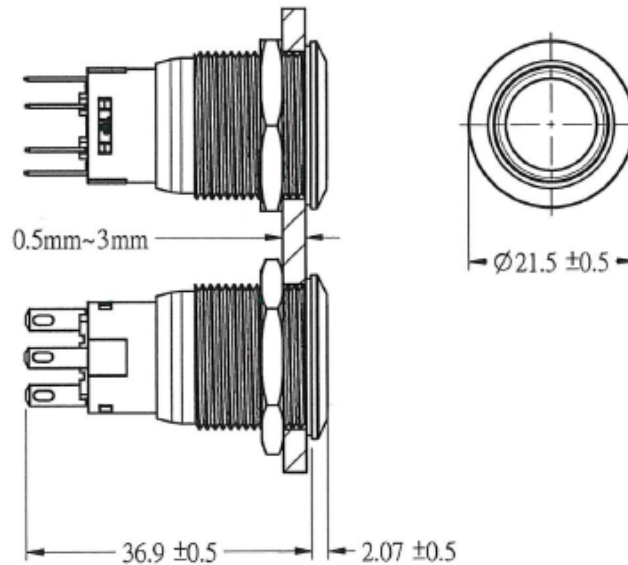
Contact Diagram



Mounting Dimensions



Dimensions



Terminal	: Solder
Mechanical lifetime	: >0.1 million operations
Electrical lifetime	: >0.1 million operations
Electric rating	: 250V AC 5A
Dielectric Strength	: 2000V AC · 1min.
Insulation Resistance	: 100MΩ · 1min(500V DC megger)
Panel thickness	: 0.5mm~3mm
Degree of protection	: IP67
Operating temperature	: -25°C to 50°C
Contact resistance	: 50mΩ (initial)

B
REV.

Distributed by Conrad Electronic SE

DECA ® SwitchLab Inc.			PART NAME	UNIT	SCALE
			F24S1-x2xxxFx002	MM	
DESIGN 許智凱	CHECK Vingit	APPROVE Jella	DRAWING NO.	SHEET	
DATE 2015/05/20	DATE 2015/05/20	DATE 2015/05/20	F24S1-x2xxxFx002	1 / 1	