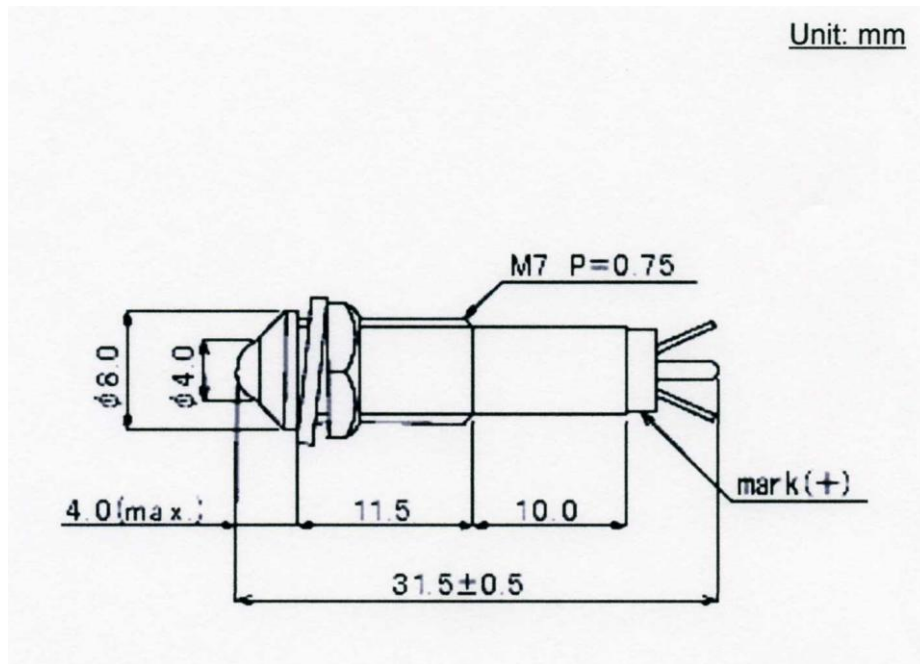


Datasheet

Item no. 1564911 1566221 1566224 1571252

V1_05172018_01_en

LED Indicator lamp, w/red mark



Item no.	Colour (LED)
1564911	Green
1566221	Red
1566224	White
1571252	Orange

Material of Body:	Polycarbonate w/PC Lens
Lens:	White
Voltage:	24V
Voltage Breakdown:	AC 1,000V/ min
Insulation Resistance:	DC 500V 100M Ohm or more
Operating Temperature:	-20°C to +75°C
Terminals:	Solder Terminal
Thread:	$\text{Ø}7.00\text{mm} \times \text{L } 11.5\text{mm}$ Pitch = 0.75mm
Mounting Hole: (Recommended)	$\text{Ø}7.2\text{mm}$