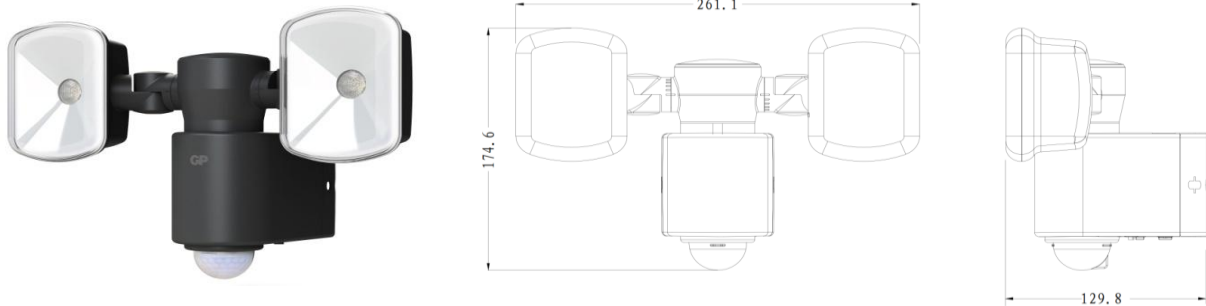


Order code	EAN	Packaging - SKU
079194-LAB1	4895149079194	Color Gift Box, 1 pc/SKU


Product

Category	LED cordless light
Series	SafeGuard RF4.1
Description	LED outdoor automotive motion sensor security light, two headlamps

Electrical characteristics

Input Voltage	4.5VDC (3 x 1.5V C batteries)
Operating Voltage	4.5V
Standby Current	< 100µA
Lamp current	350mA
Battery Operation	300 days* (Based on 5 operation per day in Auto Mode)

Lighting characteristics

CCT	4500K-5500K
luminous flux / Intensity	≥ 260 lm
LED Type	2 x SMD LED
Light modes	OFF / ON / AUTO
Light duration in auto mode	10 s ±3 s

Sensors characteristics

Sensor	Photo sensors & PIR Sensors
Sensor Detection Range	8M, 110°
Lux Detection Frequency	3 sec per detection, 1 sec between detection
Trigger Lux Value	0-35 Lux Adjustable

Physical Characteristics

Operating Temperature	-20°C to 50°C
Storage Temperature	-20°C to 50°C
Dimension	261.1 (L) x 174.6 (H) x 129.8 (D) mm
Weight	
Housing Material	PC
IP Rating	IP55

Product Compliance	CE, RoHS
Warranty	12 months from ex-factory date

* Based on new alkaline batteries. Do not mix new and old batteries at the same time.

Manufacturer reserves the right to alter or amend the design, model and specification without prior notice.

S-LA-160506-034 R1