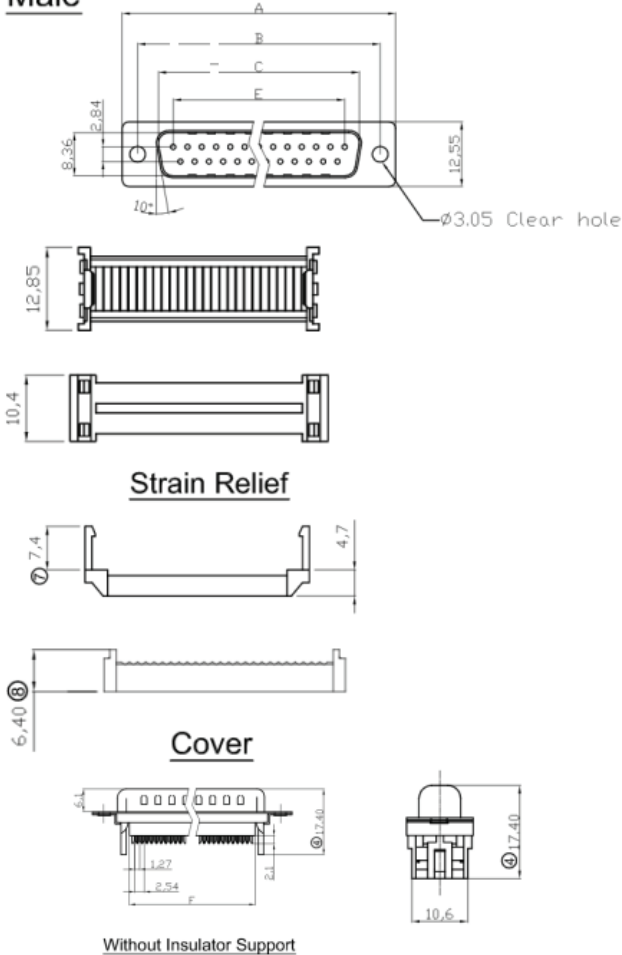
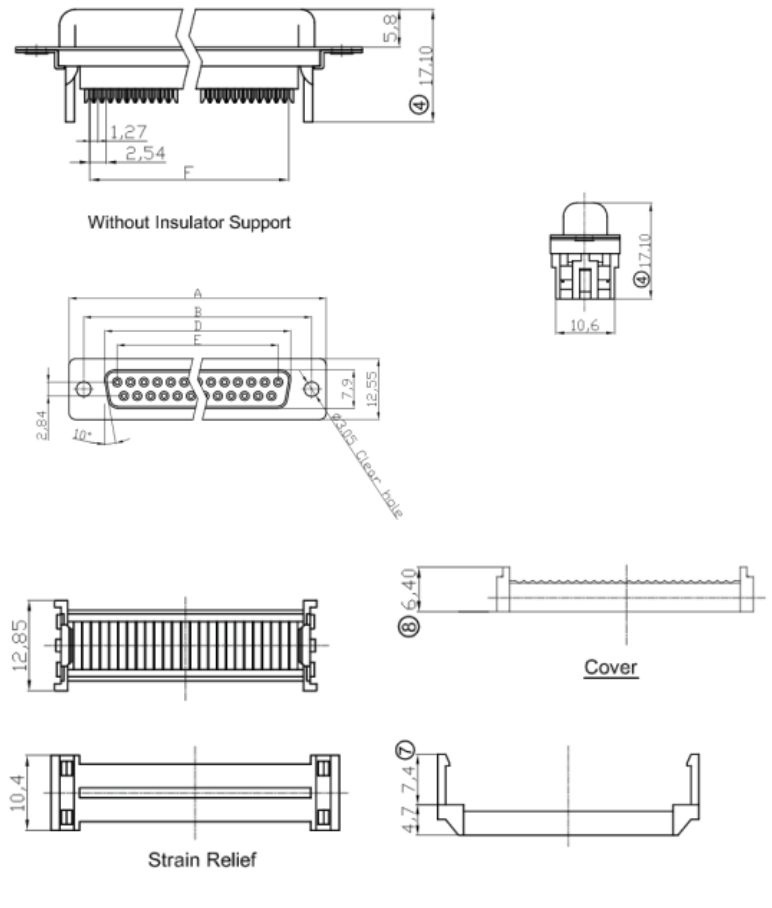


## Male



Dimensions	A	B	C	E	F
Positions	39.20	33.30	25.25	19.39	20.70
15					

## Female



Dimensions	A	B	D	E	F
Positions	39.20	33.30	24.70	19.39	17.78
15					

### Product Specification

#### Material

Insulator : Glass-Filled Thermoplastic PBT, UL94V-0,Black  
 Contact : Copper alloy, plating gold flash selective gold  
 Shell : Steel, 100u" Tin Over 50u" min Copper

#### Electrical

Contact Resistance : 20 milliohms Max at 1 AMP DC.  
 Insulation Resistance : 1000 megohms at 500 VDC  
 Dielectric Withstanding Voltage : 1000 VAC/rms 60Hz for 1 minute  
 Current Rating : 3 AMP

- ③ Voltage Rating : 250 VAC/rms 60Hz
- ④ Wire Spec : 26 AWG-28 AWG
- ⑤ Operating Temperature: -55°C--+105°C

⑤ UL E No #E198287

**RoHS compliant**

Unit: mm

#### NOTES:

##### MATERIAL

1. Insulator Material: Glass-Filled Thermoplastic PBT, UL 94V-0
2. Contact Material : Copper alloy
3. Shell : SPOC
4. Plating : Selective Gold Flash

##### ELECTRICAL

1. Current Rating : 3 AMP
2. Voltage Rating : 250 V AC/rms 60 Hz
3. Contact Resistance: 20mΩ max at 1 AMP DC
4. Insulation Resistance: 1000MΩ at 500 VDC
5. Withstand Voltage : 1000V AC/rms 60Hz for 1 minute
6. Wire Spec : 26 AWG-28 AWG
7. Operating temperature: -55 °C+105°C

UL E No #E198287

**RoHS compliant**

Unit:mm