

Datasheet

Item no. 1587834

V1_0817_01_en

Push switch w/ LED indicator, blue, Off(On) 2P SPST 3V, 1A/125VAC, 0.5A/250VAC

 DATENBLATT	 DATA SHEET
--	---

www.conrad.com

www.conrad.com

Drucktaster

Version 08/11

Best.-Nr. 70 12 24	blau
Best.-Nr. 70 12 27	rot
Best.-Nr. 70 12 29	gelb
Best.-Nr. 70 12 36	grün

Push switch

Version 08/11

Item no. 70 12 24	blue
Item no. 70 12 27	red
Item no. 70 12 29	yellow
Item no. 70 12 36	green

Nötiger Vorwiderstand:	51 kΩ (bei 250 V/AC) 27 kΩ (bei 125 V/AC) 680 Ω oder 1200 Ω (bei 12 V/DC)
Vorwärtsspannung:	2 V/DC

Necessary series resistance:	51 kΩ (at 250 V/AC) 27 kΩ (at 125 V/AC) 680 Ω or 1200 Ω (at 12 V/DC)
Forward voltage:	2 V/DC

Dieses Datenblatt ist eine Publikation der Conrad Electronic SE, Klaus-Conrad-Straße 1, D-92240 Hirschau. Alle Rechte einschließlich Übersetzung vorbehalten. Reproduktionen jeder Art, z. B. Fotokopie, Mikroverfilmung, oder die Erfassung in elektronischen Datenverarbeitungsanlagen, bedürfen der schriftlichen Genehmigung des Herausgebers. Nachdruck, auch auszugsweise, verboten. Dieses Datenblatt entspricht dem technischen Stand bei Drucklegung. Änderungen in Technik und Ausstattung vorbehalten.
© 2011 by Conrad Electronic SE. V1_0811_02-SB

This sheet is published by Conrad Electronic SE, Klaus-Conrad-Straße 1, D-92240 Hirschau/Germany. All rights including translation reserved. Reproduction by any method, e.g. photocopy, microfilming, or the capture in electronic data processing systems require the prior written approval by the editor. Reprinting, also in part, is prohibited. The sheet reflects the current technical specifications at time of print. We reserve the right to change the technical or physical specifications.
© Copyright 2011 by Conrad Electronic SE. V1_0811_02-SB

This is a publication by Conrad Electronic SE, Klaus-Conrad-Str. 1, D-92240 Hirschau (www.conrad.com). All rights including translation reserved. Reproduction by any method, e.g. photocopy, microfilming, or the capture in electronic data processing systems require the prior written approval by the editor. Reprinting, also in part, is prohibited. This publication represents the technical status at the time of printing.
© Copyright 2017 by Conrad Electronic SE.

Push switch w/ LED indicator, blue, Off(On) 2P SPST 3V, 1A/125VAC, 0.5A/250VAC

F FICHE DE DONNEES www.conrad.com

NL DATABLAD www.conrad.com

Bouton-poussoir

Version 08/11


N° de commande 70 12 24	bleu
N° de commande 70 12 27	rouge
N° de commande 70 12 29	jaune
N° de commande 70 12 36	vert

Druktoets

Versie 08/11

Bestnr. 70 12 24	blauw
Bestnr. 70 12 27	rood
Bestnr. 70 12 29	gelb
Bestnr. 70 12 36	grün

Résistance de série nécessaire :	51 kΩ (à 250 V/CA) 27 kΩ (à 125 V/CA) 680 Ω ou 1200 Ω (à 12 V/CC)
Tension en avant :	2 V/CC

Nodige serieweerstand:	51 kΩ (bij 250 V/AC)  27 kΩ (bij 125 V/AC) 680 Ω of 1200 Ω (bij 12 V/DC)
Voorwaartse spanning:	2 V/DC

Cette fiche est une publication de la société Conrad Electronic SE, Klaus-Conrad-Straße 1, D-92240 Hirschau/Allemagne.
Tous droits réservés, y compris de traduction. Toute reproduction, quelle qu'elle soit (p. ex. photocopie, microfilm, saisie dans des installations de traitement de données) nécessite une autorisation écrite de l'éditeur. Il est interdit de le réimprimer, même par extraits.
Cette fiche est conforme à la réglementation en vigueur lors de l'impression. Données techniques et conditionnement soumis à modifications sans aucun préalable.
© 2011 par Conrad Electronic SE. V1_0811_02-SB

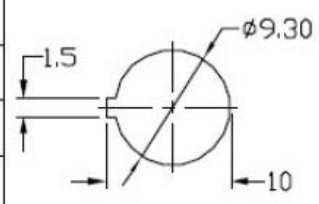
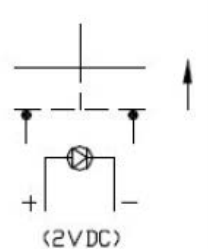
Deze datablad is een publicatie van Conrad Electronic SE, Klaus-Conrad-Straße 1, D-92240 Hirschau/Duitsland.
Alle rechten, vertaling inbegrepen, voorbehouden. Reproducties van welke aard dan ook, bijvoorbeeld fotokopie, microverfilming of de registratie in elektronische gegevensverwerkingsapparatuur, vereisen de schriftelijke toestemming van de uitgever. Nadruk, ook van uittreksels, verboden.
Deze datablad voldoet aan de technische eisen bij het ter perse gaan. Wijzigingen in techniek en uitrusting voorbehouden.
© 2011 bei Conrad Electronic SE. V1_0811_02-SB

This is a publication by Conrad Electronic SE, Klaus-Conrad-Str. 1, D-92240 Hirschau (www.conrad.com).

All rights including translation reserved. Reproduction by any method, e.g. photocopy, microfilming, or the capture in electronic data processing systems require the prior written approval by the editor. Reprinting, also in part, is prohibited. This publication represents the technical status at the time of printing.

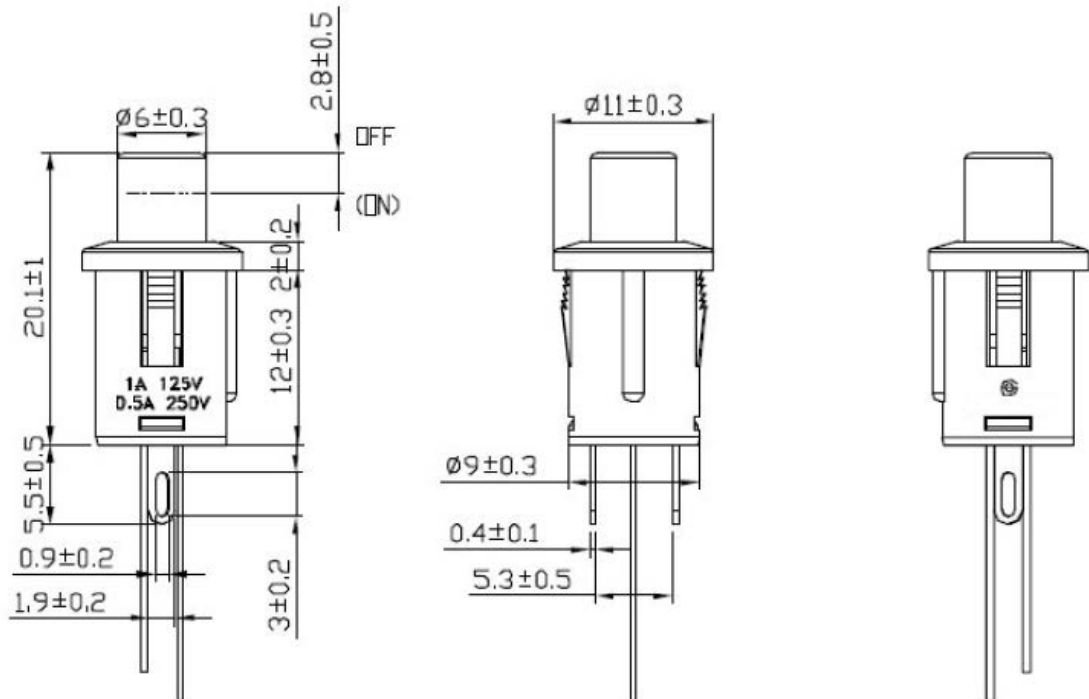
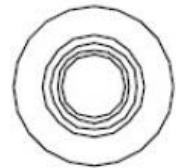
© Copyright 2017 by Conrad Electronic SE.

Push switch w/ LED indicator, blue, Off(On) 2P SPST 3V, 1A/125VAC, 0.5A/250VAC

Rating	1A 125VAC/ 0.5A 250VAC	Mounting Hole		Circuit Diagram		
Contact Resistance	50m ohm Max.	<th>THICKNESS</th> <td>0.5~2.0mm</td>		THICKNESS		0.5~2.0mm
Insulation Resistance	DC 500V 100M ohm Min.					
Dielectric Strength	AC 1000V 1minute					
Switch Function	2P SPST OFF-(ON) (LED)					

*MATERIAL:
Frame: Black, PA#66+5%G

Printed: None



Unit: mm

This is a publication by Conrad Electronic SE, Klaus-Conrad-Str. 1, D-92240 Hirschau (www.conrad.com).

All rights including translation reserved. Reproduction by any method, e.g. photocopy, microfilming, or the capture in electronic data processing systems require the prior written approval by the editor. Reprinting, also in part, is prohibited. This publication represents the technical status at the time of printing.

© Copyright 2017 by Conrad Electronic SE.