



KIDDYPIX®
Mystery



KIDDYPIX®
GALAXY

USER MANUAL



IMPORTANT INFORMATION

To ensure the optimal functioning of your camera, please note the following important information:

MicroSD card:

- Please ensure your memory card is formatted in the camera before first using the card for the first time (Settings > Format).

- The maximum capacity memory card supported is 32GB.

Use of memory cards exceeding the maximum recommended capacity may result in file errors.

- The recording time depends on the selected resolution.

- After reaching a max. video recording time of approx. 20 minutes, the camera will stop recording automatically. A new recording must be restarted manually.

Batteries:

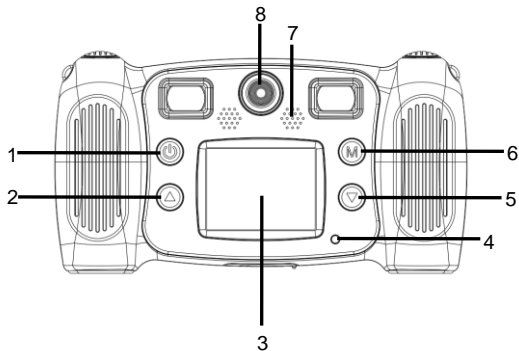
- If you are not going to use the camera for a long time, please remove the batteries.

Safety instructions:

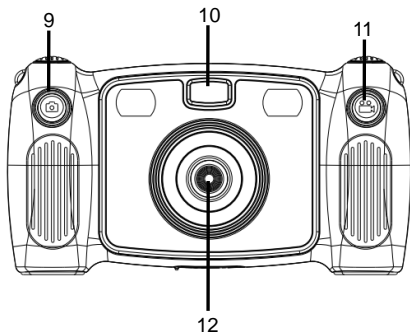
⚠ WARNING: The camera is not suitable for children under 36 months because of choking hazard.

⚠ WARNING: Always protect your camera from falls, blows and bumps.

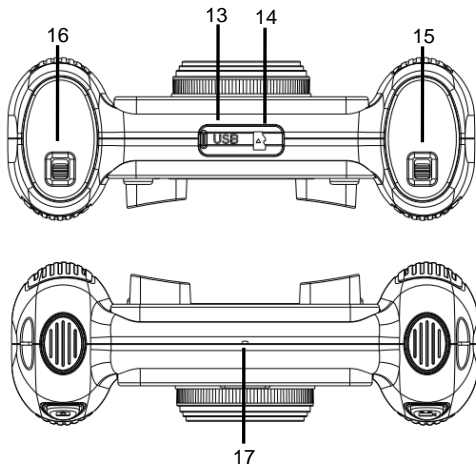
- Keep a sufficient distance from objects that generate strong magnetic fields or radio waves, such as electrical appliances to prevent them from damaging the product or affecting the sound and image quality.
- Store the device cool (at room temperature) in a dry and dust-free location and never expose the product to high temperatures or permanently direct sunlight.
- In the unlikely event of overheating, smokes or unpleasant odors coming out of the unit, disconnect it immediately from the charging cable and remove the battery to avoid a fire.



1. Power button
2. Page Up button
3. Display
4. Busy indicator light
5. Page Down button
6. Mode button
7. Speaker
8. Rear lens



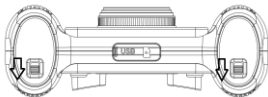
- 9. Photo shutter button
- 10. Fill light
- 11. Recording button
- 12. Front lens



- 13. Micro USB
- 14. Micro SD card
- 15. Battery door switch
- 16. Battery door switch
- 17. Microphone

1. Battery installation

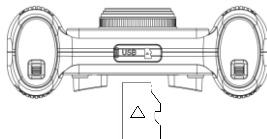
Slide the battery door lock as shown in the figure below to unlock and access the battery compartment. Insert 4 x AA batteries ensuring batteries are installed as indicated.



2. Memory card installation


Insert the memory card into the card holder as indicated (not included).

To remove the memory card, press the end of the card gently, the card will be ejected.




Note: The camera is not equipped with built-in memory. Please insert a memory card before using. Before using the memory card for the first time it is necessary to format the card in the camera.

3. Power on/off

Power on: Long-press the **power button** . The screen will turn on and the camera will enter standby.


Power off: Hold on **power button** for 3 seconds until the camera turns off.



Auto screen off: In order to maximize battery life, the camera display will automatically power off after an extended period of inactivity.

Low battery indication: A 'Low Battery' icon will be displayed on the LCD screen,  indicating that your current photo or video should be completed as quickly as possible. When the icon flickers the camera will be turned off automatically.

4. Video recording mode

When turned on, the camera automatically enters the 'Video Recording' mode. Short-press the

Video recording button  to start recording a video. Short-press it again to stop recording.



Short-press the **page up button**  or **page down button**  to choose a color effect.

There are seven effect options to choose from including normal, black and white, retro, negative, red, green and blue.

5. Photo mode

To take a photo, you can short-press **photo button**  to enter photo mode.

Short-press the photo button again to capture your photo.

Short-press **page up button**  or **page down button**  to join different frame effects.

Long press the **mode button** to set the camera timer to automatically take a photo after 5 seconds.

Selfie function:

To take a selfie, long-press the **photo button** to switch to the rear camera lens.

Zoom function:


Please note that the Zoom Switcher must be switched on inside the settings.



To zoom in, long-press the **page up button**. To zoom out, long press the **page down button**.

Fill light:


You can turn on the fill light by long-pressing the recording button in low light conditions.

6. Menu and playback mode

While in video recording mode or photo mode, short-press the **mode button** .

Short-press the **page up button**  and **page down button**  to change modes.

Short-press the **mode button**  to confirm your choice.

To exit the menu screen, short-press **power button** .



Video recording mode



Photo mode



Playback mode



System settings






Game

You can view your videos and photos in one of the following ways:

1. In the user menu select **Playback mode**, then press the **page down or page up buttons** to select the video or photo you would like to view.

To playback a video, press the **mode button** to start. Press the **mode button** again to pause playback or press the **power button** to stop playback. During playback, press the **page up button** or **page down button** to scroll through the photos and videos. Press the **mode button** to confirm your selection.

2. Connect your camera to a computer using the supplied USB cable to view your captured videos and photos.

3. Short-press the **recording button**  to enter to delete menu. Short-press the **mode button**  to confirm your selection to delete one or all files. Press the **power button**  to exit menu.

7. System settings

To adjust your camera settings, enter the 'System settings' menu.

Short-press the **page up button**  or **page down button**  to select the setting.

Short-press the **mode button**  to confirm your selection.

Short-press the **power button**  to exit the menu.

8. Connecting to PC

Your camera has a 'plug-and-play' function. Once connected to your computer and turned on, your camera will appear as a removable hard disk. The removable disk icon will appear in the "My Computer" window.



Note: During file download and transfer, do not disconnect your camera or remove the memory card as doing so may result in full data loss.

Technical parameters

Image sensor	1.3MP CMOS sensor
Function mode	Video recording, photo, playback
Display	2" (5 cm) display
Picture resolution	5MP* (2592x1944), 3MP* (2048x1536), 1.3MP (1280x720) *by interpolation
Video resolution	Full HD 1920x1080 @25fps by interpolation, HD 1280x720 @30fps

Storage medium	Micro SD Card support up to 32GB (not included)
USB port	USB 2.0
Power supply	4 x AA battery (not included)
Power save	1 min. / 3 min. / 5 min. / OFF
Operating system requirements	Windows XP/Vista/7/8, Mac 10.8

i All product specifications are correct at time of print and are subject to change without prior notice.

Easypix GmbH reserves the right for errors or omissions.

For technical help please visit our support area on www.easypix.eu.

CONFORMITY

The manufacturer hereby declares that the CE marking was applied to the product Kiddypix Mystery/Galaxy in accordance with the basic requirements and other relevant provisions of the following CE Directives:

2014/53/EU

2011/65/EC RoHs

2014/30/EU EMV

2012/19/EC WEEE



The EC Declaration of Conformity can be downloaded here:

http://www.easypix.info/download/pdf/doc_kiddypix_mystery_galaxy.pdf

DISPOSAL



Dispose of packaging

For disposal, separate packaging into different types. Cardboard and board must be disposed of as paper and foil must be recycled.



Disposal of Waste Electrical and Electronic Equipment and/or Battery by users in private households in the European Union. This symbol on the product or on the packaging indicates that this cannot be disposed of as a household waste. You must dispose of your waste equipment and/or battery by handing it over to the applicable take-back scheme for the recycling of electrical and electronic equipment and/or battery. For more information about recycling of this equipment and/or battery, please contact your city office, the shop where you purchased the equipment or your household waste disposal service. The recycling of materials will help to conserve natural resources and ensure that it is recycled in a manner that protects human health and environment.

Battery warning

- Never dismantle, crush, or pierce the battery, or allow the battery to short-circuit. Do not expose battery being placed in high temperature environment, if battery leaks or bulges, stop continue to use.
- Risk of explosion if battery is replaced by an incorrect type.
- Keep the battery out of reach of children.
- Batteries may explode if exposed to naked fire. Never dispose of batteries in a fire.
- Disposed of used batteries observing local regulations.
- Before disposing the device, please remove the battery.



The camera is not suitable for children under 3 years because of choking hazard.



Made in China / Only for EU

easypix[®]

LIFESTYLE ELECTRONICS