

TECHNICAL SPECIFICATIONS

D-Sub Hood:

Material: UL 94 V-0 Plastic Material
 Operating Temperature: -55°C to +110°C
 Cable Entry: Side
 Thumbscrews: UNC 4-40 (Standard)
 Cable O.D: Up to 11,5mm
 Colour: Black

High Density D-Sub Solder Cup:

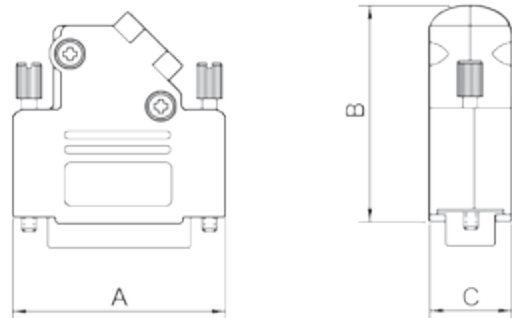
Insulator: Glass filled TP, UL94 V-0
 Shell: Steel, Tin Plated
 Contact pins: Copper Alloy
 Gold Flash over Ni.
 Stamped & Formed Pins Class 3, 100 inserts min.
 Contact Plating: Gold flash over Nickel
 Operating Temperature: -55°C to +85°C
 Withstanding voltage: >1000V Rms to 50 Hz
 for 1 minute
 Current Rating: 3A
 Insulator resistance: >5000MΩ min.

Features:

- Available in sizes HD 15-26-44-62
- Strain relief inserts ensure a secure termination
- Re-openable



...with Connectors from:
Amphenol



Grommet Sizes D45PK-P:



Size D45PK-P	Dim A	Dim B	Dim C
9-way	31,0	36,3	15,0
15-way	39,5	40,3	15,0
25-way	53,2	40,3	15,0
37-way	69,7	40,3	15,0

Ordering information:

High Density D-Sub Connector Kits

Size:	P/N - Kitted:	Product Code - MALE Conn. Kit
HD 15	6355-5008-01	D45PK09-P+L717HDE15P
HD 26	6355-5008-02	D45PK15-P+L717HDA26P
HD 44	6355-5008-03	D45PK25-P+L717HDB44P
HD 62	6355-5008-04	D45PK37-P+L717HDC62P

Size:	P/N - Kitted:	Product Code - FEMALE Conn. Kit
HD 15	6355-5008-11	D45PK09-P+L77HDE15S
HD 26	6355-5008-12	D45PK15-P+L77HDA26S
HD 44	6355-5008-13	D45PK25-P+L77HDB44S
HD 62	6355-5008-14	D45PK37-P+L77HDC62S



Encitech AB
 Rörkullsvägen 4
 SE-302 41 HALMSTAD, Sweden

Tel.: +46-(0)35-15 13 90
 Fax: +46-(0)35-15 13 99

www.encitech.com