

TECHNICAL SPECIFICATIONS

D-Sub Hood:

Material:	Zinc, Nickel Plated
Operating Temperature:	-40°C to +120°C
Cable Entry:	Top Entry
Thumbscrews:	UNC 4-40 (Standard)
Cable O.D:	Up to 13mm

Standard D-Sub Solder Cup:

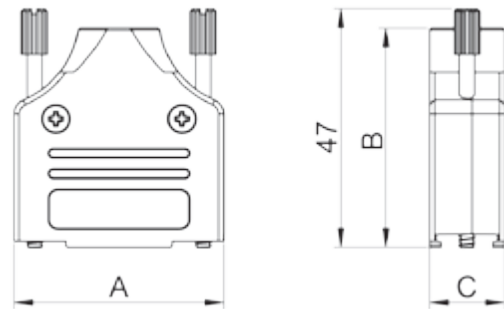
Insulator:	Glass filled TP, UL94 V-0
Shell:	Steel, Tin Plated
Contact pins:	Copper Alloy Gold Flash over Ni.
Stamped & Formed Pins	Class 3, 100 inserts min.
Contact Plating:	Gold flash over Nickel
Operating Temperature:	-55°C to +85°C
Withstanding voltage:	>1000V Rms to 50 Hz for 1 minute
Current Rating:	5A
Insulator resistance:	>5000MΩ min.

Features:

- Available in sizes 9-15-25-37
- 360° EMI Shielding
- Re-openable



...with Connectors from:
Amphenol



Size MHDM	Dim A	Dim B	Dim C
9-way	32,2	41,3	15,4
15-way	40,6	43,3	15,4
25-way	54,5	49,5	15,4
37-way	70,7	54,3	15,4

Ordering information:**Standard D-Sub Connector Kits**

Size:	P/N - Kitted:	Product Code - MALE Conn. Kit
9-way	6355-5019-01	MHDM09+L717SDE09P
15-way	6355-5019-02	MHDM15+L717SDA15P
25-way	6355-5019-03	MHDM25+L717SDB25P
37-way	6355-5019-04	MHDM37+L717SDC37P

Size:	P/N - Kitted:	Product Code - FEMALE Conn. Kit
9-way	6355-5019-11	MHDM09+L77SDE09S
15-way	6355-5019-12	MHDM15+L77SDA15S
25-way	6355-5019-13	MHDM25+L77SDB25S
37-way	6355-5019-14	MHDM37+L77SDC37S



Encitech AB
Rörkullsvägen 4
SE-302 41 HALMSTAD, Sweden

Tel.: +46-(0)35-15 13 90
Fax: +46-(0)35-15 13 99

www.encitech.com