

PICOPAK-CI-CO-LP-P

Weidmüller Interface GmbH & Co. KG

Klingenbergstraße 16

D-32758 Detmold

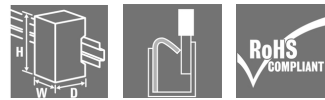
Germany

Fon: +49 5231 14-0

Fax: +49 5231 14-292083

www.weidmueller.com

Product image, Similar to illustration



PicoPak: the robust one

- Space-saving in the control cabinet thanks to the slim 6 mm width
- Passive isolator, loop-powered at the input and output
- Increased operating temperature range: -40°C ...+70°C
- Zero and Span adjustment possible

General ordering data

Type	PICOPAK-CI-CO-LP-P
Order No.	2501110000
Version	Signal converter/insulator, PUSH IN connection, Output current loop powered
GTIN (EAN)	4050118514704
Qty.	1 pc(s).

PICOPAK-CI-CO-LP-P
Weidmüller Interface GmbH & Co. KG

Klingenbergstraße 16

D-32758 Detmold

Germany

Fon: +49 5231 14-0

Fax: +49 5231 14-292083

www.weidmueller.com

Technical data
Dimensions and weights

Width	6.1 mm	Width (inches)	0.24 inch
Height	79.4 mm	Height (inches)	3.126 inch
Depth	55 mm	Depth (inches)	2.165 inch
Weight	50 g	Net weight	47 g

Temperatures

Humidity	0...95 % (no condensation)	Operating temperature, max.	70 °C
Operating temperature, min.	-40 °C	Storage temperature, max.	85 °C
Storage temperature, min.	-40 °C	Operating temperature	-40 °C...70 °C
Storage temperature	-40 °C...85 °C		

Rated data UL

Certificate No. (cURus)	E141197
-------------------------	---------

Input

Number of inputs	1	Sensor	Current source
Input current	4...20 mA	Voltage drop, current input	≤3,5 V

Output

Number of outputs	1	Output current	4...20 mA, loop-powered
Cut-off frequency (-3 dB)	≥3,5 kHz	load impedance current	≤ 600 Ω
Supply voltage	18...32 V		

General data

Accuracy	< 0.1 % of measuring range	Configuration	Potentiometer
Galvanic isolation	2-way isolator	Long-term drift	±0.05% of the measurement range / year
Power consumption, max.	0.85 W	Power consumption, typ.	0.55 W
Rail	TS 35	Step response time	≤ 5 ms
Temperature coefficient	≤ 200 ppm/K	Voltage supply	Output loop powered

Insulation coordination

EMC standards	EN 61326-1	Galvanic isolation	2-way isolator
Insulation voltage	3.5 kV	Pollution severity	2
Rated voltage	300 V AC _{rms}	Surge voltage category	II

Connection data

Type of connection	PUSH IN	Wire connection cross-section, finely stranded, min.	0.5 mm ²
Wire connection cross section, finely stranded, max.	1.5 mm ²	Wire cross-section, finely stranded, min. (AWG)	AWG 20
Wire cross-section, finely stranded, max. (AWG)	AWG 14		

Data sheet

PICOPAK-CI-CO-LP-P

Weidmüller Interface GmbH & Co. KG
 Klingenbergstraße 16
 D-32758 Detmold
 Germany
 Fon: +49 5231 14-0
 Fax: +49 5231 14-292083
 www.weidmueller.com

Technical data

Classifications

ETIM 6.0	EC002653	eClass 6.2	27-21-01-20
eClass 9.0	27-21-01-20	eClass 9.1	27-21-01-90

Product information

Product information The passive Isolator PicoPak-CI-CO-LP separates stand- analogue current signals. An analogue input current signal is converted linear and galvanic isolated into an analogue out- put current signal. The power supply occurs through the input and output measuring circuit. The measuring range can be adjusted if necessary via the potentiometers (Zero and Span) installed on the front.

Approvals

Approvals



ROHS Conform

Downloads

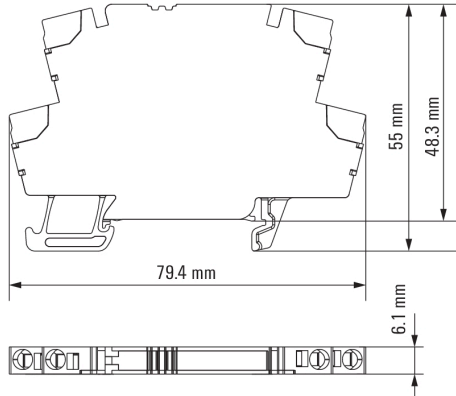
Approval/Certificate/Document of Conformity	UL approval Declaration of Conformity
Engineering Data	STEP
User Documentation	Instruction sheet

PICOPAK-CI-CO-LP-P

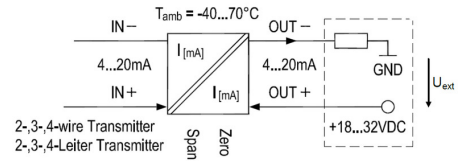
Weidmüller Interface GmbH & Co. KG
 Klingenbergstraße 16
 D-32758 Detmold
 Germany
 Fon: +49 5231 14-0
 Fax: +49 5231 14-292083
 www.weidmueller.com

Drawings

Dimensional drawing



Connection diagram



Correct handling PUSH IN connection

