



**Mushroom actuator, RMQ-Titan, Mushroom, maintained, Mushroom green, green, inscribed, Bezel: titanium**



**Part no. M22-DRP-G-X1**  
**Catalog No. 216753**  
**Alternate Catalog No. M22-DRP-G-X1Q**  
**EL-Nummer (Norway) 4355689**

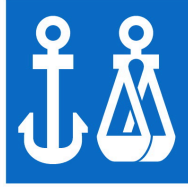


**Delivery program**

|                            |  |  |                                                          |
|----------------------------|--|--|----------------------------------------------------------|
| Product range              |  |  | RMQ-Titan                                                |
| Basic function             |  |  | Mushroom-headed pushbutton                               |
| Single unit/Complete unit  |  |  | Single unit                                              |
| Design                     |  |  | Mushroom<br>maintained                                   |
| <b>Colour</b>              |  |  |                                                          |
| Mushroom                   |  |  | green                                                    |
| Mushroom colour            |  |  |                                                          |
| <b>Button plate</b>        |  |  |                                                          |
| button plate               |  |  | green                                                    |
| Button plate               |  |  |                                                          |
|                            |  |  | inscribed                                                |
| Degree of Protection       |  |  | IP66, IP67, IP69                                         |
| Front ring                 |  |  | Bezel: titanium                                          |
| Connection to SmartWire-DT |  |  | yes<br>with SWD-RMQ connections                          |
| Front dimensions           |  |  | 22 x 22                                                  |
| Function                   |  |  | maintained                                               |
| <b>Instructions</b>        |  |  | Stay-put/spring-return function can be changed on device |

**Technical data**

**General**

|                             |              |                   |                                                                                |
|-----------------------------|--------------|-------------------|--------------------------------------------------------------------------------|
| Standards                   |              |                   | IEC/EN 60947<br>VDE 0660                                                       |
| Lifespan, mechanical        | Operations   | x 10 <sup>6</sup> | > 1                                                                            |
| Operating frequency         | Operations/h |                   | ≤ 1800                                                                         |
| Actuating force             | n            |                   | ≤ 5                                                                            |
| Climatic proofing           |              |                   | Damp heat, constant, to IEC 60068-2-78<br>Damp heat, cyclic, to IEC 60068-2-30 |
| Degree of Protection        |              |                   | IP66, IP67, IP69                                                               |
| Ambient temperature         |              |                   |                                                                                |
| Open                        | °C           |                   | -25 - +70                                                                      |
| Storage                     | °C           |                   | - 40 - + 80                                                                    |
| Mounting position           |              |                   | As required                                                                    |
| Mechanical shock resistance | g            |                   | 30<br>Shock duration 11 ms<br>Sinusoidal<br>according to IEC 60068-2-27        |

|                         |  |  |  |                                                                                                                                                                                                                                                            |
|-------------------------|--|--|--|------------------------------------------------------------------------------------------------------------------------------------------------------------------------------------------------------------------------------------------------------------|
| shipping classification |  |  |  | DNV<br>GL<br>LR                                                                                                                                                                                                                                            |
|                         |  |  |  |    |

## Design verification as per IEC/EN 61439

|                                                                                                                        |            |    |  |                                                                                                          |
|------------------------------------------------------------------------------------------------------------------------|------------|----|--|----------------------------------------------------------------------------------------------------------|
| Technical data for design verification                                                                                 |            |    |  |                                                                                                          |
| Rated operational current for specified heat dissipation                                                               | $I_n$      | A  |  | 0                                                                                                        |
| Heat dissipation per pole, current-dependent                                                                           | $P_{vid}$  | W  |  | 0                                                                                                        |
| Equipment heat dissipation, current-dependent                                                                          | $P_{vid}$  | W  |  | 0                                                                                                        |
| Static heat dissipation, non-current-dependent                                                                         | $P_{vs}$   | W  |  | 0                                                                                                        |
| Heat dissipation capacity                                                                                              | $P_{diss}$ | W  |  | 0                                                                                                        |
| Operating ambient temperature min.                                                                                     |            | °C |  | -25                                                                                                      |
| Operating ambient temperature max.                                                                                     |            | °C |  | 70                                                                                                       |
| IEC/EN 61439 design verification                                                                                       |            |    |  |                                                                                                          |
| 10.2 Strength of materials and parts                                                                                   |            |    |  |                                                                                                          |
| 10.2.2 Corrosion resistance                                                                                            |            |    |  | Meets the product standard's requirements.                                                               |
| 10.2.3.1 Verification of thermal stability of enclosures                                                               |            |    |  | Meets the product standard's requirements.                                                               |
| 10.2.3.2 Verification of resistance of insulating materials to normal heat                                             |            |    |  | Meets the product standard's requirements.                                                               |
| 10.2.3.3 Verification of resistance of insulating materials to abnormal heat and fire due to internal electric effects |            |    |  | Meets the product standard's requirements.                                                               |
| 10.2.4 Resistance to ultra-violet (UV) radiation                                                                       |            |    |  | Please enquire                                                                                           |
| 10.2.5 Lifting                                                                                                         |            |    |  | Does not apply, since the entire switchgear needs to be evaluated.                                       |
| 10.2.6 Mechanical impact                                                                                               |            |    |  | Does not apply, since the entire switchgear needs to be evaluated.                                       |
| 10.2.7 Inscriptions                                                                                                    |            |    |  | Meets the product standard's requirements.                                                               |
| 10.3 Degree of protection of ASSEMBLIES                                                                                |            |    |  | Does not apply, since the entire switchgear needs to be evaluated.                                       |
| 10.4 Clearances and creepage distances                                                                                 |            |    |  | Meets the product standard's requirements.                                                               |
| 10.5 Protection against electric shock                                                                                 |            |    |  | Does not apply, since the entire switchgear needs to be evaluated.                                       |
| 10.6 Incorporation of switching devices and components                                                                 |            |    |  | Does not apply, since the entire switchgear needs to be evaluated.                                       |
| 10.7 Internal electrical circuits and connections                                                                      |            |    |  | Is the panel builder's responsibility.                                                                   |
| 10.8 Connections for external conductors                                                                               |            |    |  | Is the panel builder's responsibility.                                                                   |
| 10.9 Insulation properties                                                                                             |            |    |  |                                                                                                          |
| 10.9.2 Power-frequency electric strength                                                                               |            |    |  | Is the panel builder's responsibility.                                                                   |
| 10.9.3 Impulse withstand voltage                                                                                       |            |    |  | Is the panel builder's responsibility.                                                                   |
| 10.9.4 Testing of enclosures made of insulating material                                                               |            |    |  | Is the panel builder's responsibility.                                                                   |
| 10.10 Temperature rise                                                                                                 |            |    |  | Not applicable.                                                                                          |
| 10.11 Short-circuit rating                                                                                             |            |    |  | Is the panel builder's responsibility. The specifications for the switchgear must be observed.           |
| 10.12 Electromagnetic compatibility                                                                                    |            |    |  | Is the panel builder's responsibility. The specifications for the switchgear must be observed.           |
| 10.13 Mechanical function                                                                                              |            |    |  | The device meets the requirements, provided the information in the instruction leaflet (IL) is observed. |

## Technical data ETIM 7.0

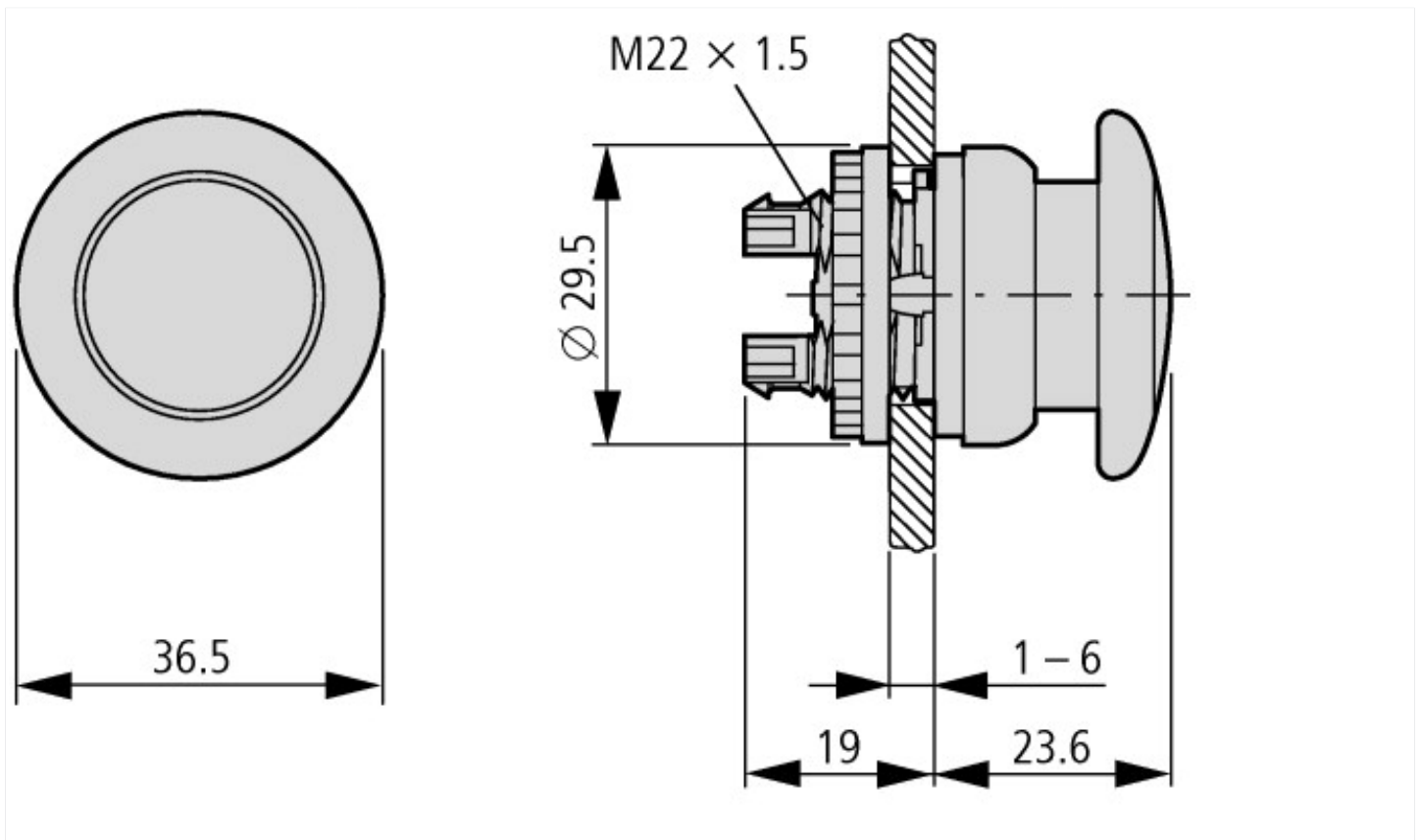
|                                                                                                                                                                                                                    |  |    |  |       |
|--------------------------------------------------------------------------------------------------------------------------------------------------------------------------------------------------------------------|--|----|--|-------|
| Low-voltage industrial components (EG000017) / Front element for mushroom push-button (EC001038)                                                                                                                   |  |    |  |       |
| Electric engineering, automation, process control engineering / Low-voltage switch technology / Command and alarm device / Front element for mushroom push-button actuators (ecI@ss10.0.1-27-37-12-12 [AKF030014]) |  |    |  |       |
| Colour button                                                                                                                                                                                                      |  |    |  | Green |
| Construction type lens                                                                                                                                                                                             |  |    |  | Round |
| Diameter cap                                                                                                                                                                                                       |  | mm |  | 36.5  |
| Hole diameter                                                                                                                                                                                                      |  | mm |  | 22.5  |

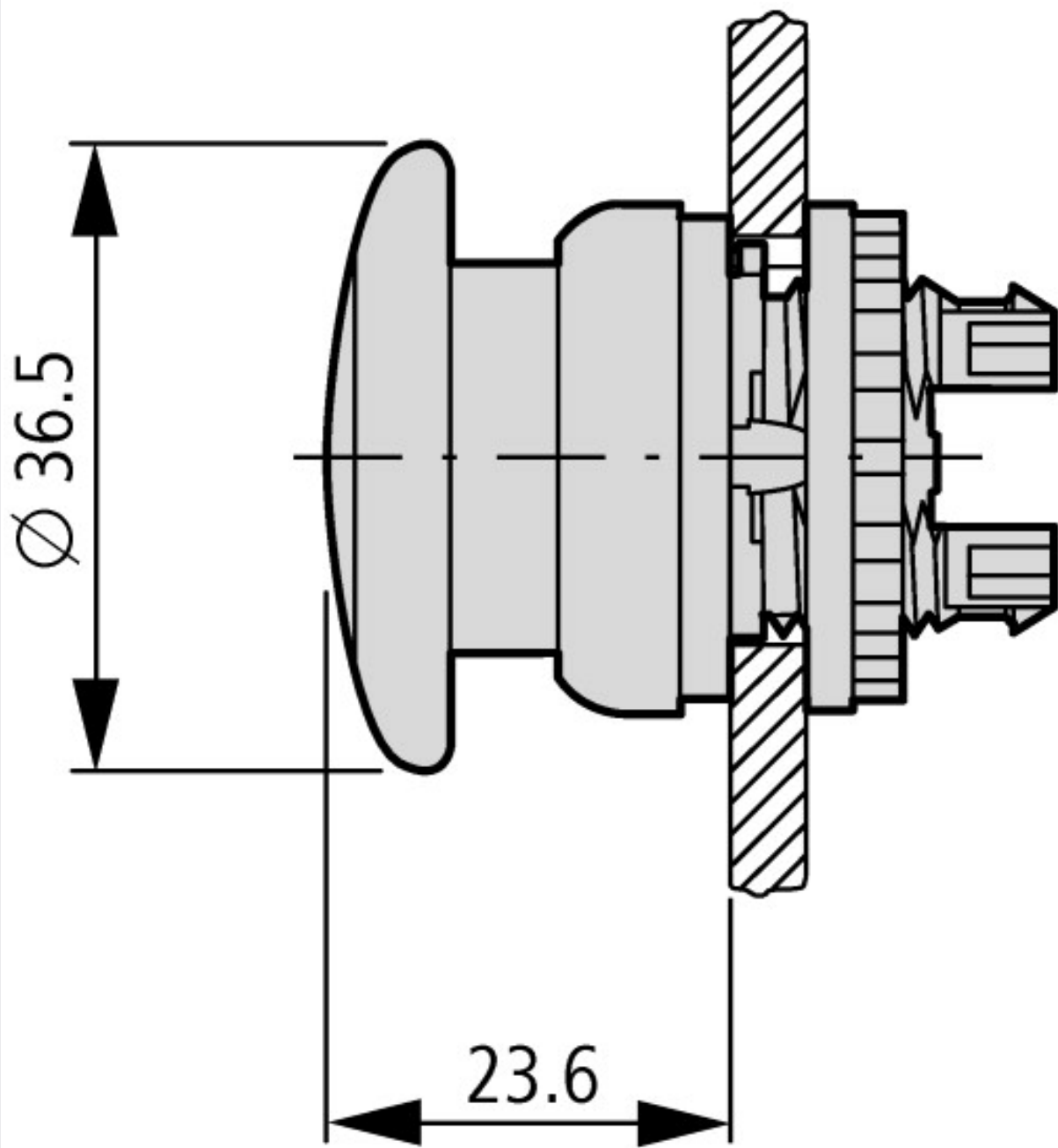
|                             |    |            |
|-----------------------------|----|------------|
| Width opening               | mm | 0          |
| Height opening              | mm | 0          |
| Degree of protection (IP)   |    | IP67/IP69K |
| Degree of protection (NEMA) |    | 4X         |
| Type of button              |    | Flat       |
| Suitable for illumination   |    | No         |
| Switching function latching |    | Yes        |
| Spring-return               |    | Yes        |
| With front ring             |    | Yes        |
| Material front ring         |    | Plastic    |
| Colour front ring           |    | Chrome     |
| Suitable for emergency stop |    | No         |
| Unlocking method            |    | None       |

## Approvals

|                             |  |                                                                              |
|-----------------------------|--|------------------------------------------------------------------------------|
| Product Standards           |  | IEC/EN 60947-5; UL 508; CSA-C22.2 No. 14-05; CSA-C22.2 No. 94-91; CE marking |
| UL File No.                 |  | E29184                                                                       |
| UL Category Control No.     |  | NKCR                                                                         |
| CSA File No.                |  | 012528                                                                       |
| CSA Class No.               |  | 3211-03                                                                      |
| North America Certification |  | UL listed, CSA certified                                                     |
| Degree of Protection        |  | UL/CSA Type 3R, 4X, 12, 13                                                   |

## Dimensions





## Assets (links)

[Declaration of CE Conformity](#)

00003256