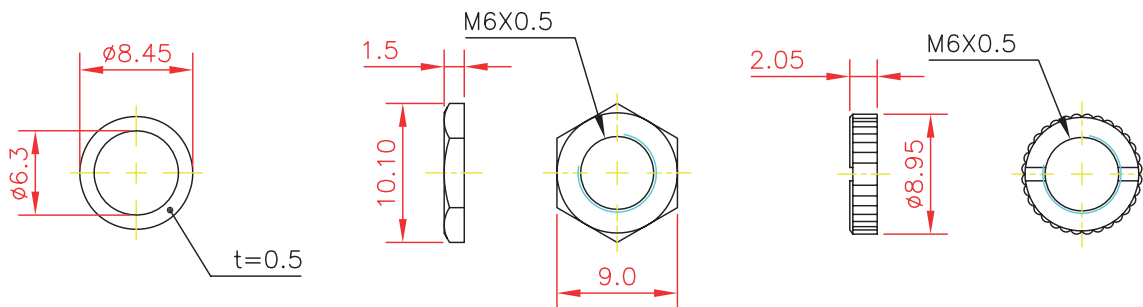
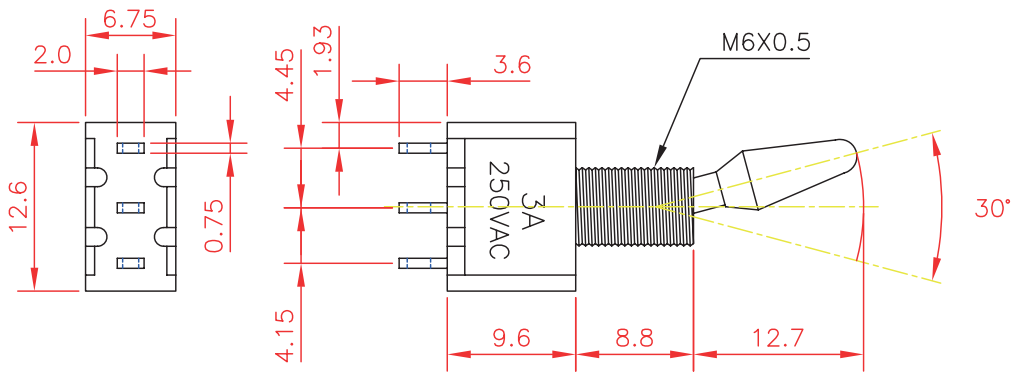


Datasheet

Item no. TC-MK224

1. 3P SPOT TYPE.
2. ON-NONE-ON SOLDER PIN.
3. 3A 250VAC



2 PCS